

## ALUMINUM ANTI-FURL ROTATING POLES

These poles are available in a brushed aluminum, white painted or wood grain finish. The top of the pole rotates on ball bearings so the flag will never tangle. There is no need for an unfurling tube. For the most easiest and versatile installation, these poles come with two flag fasteners for flying a grommeted flag and also with a snap and swivel ring for displaying banners with a pole sleeve and tab. Designed to be used with brackets that accept a 1" outside diameter pole (not included).



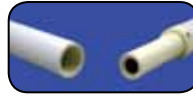
ALUMINUM



WHITE



WOOD GRAIN



## WOOD GRAIN BALL ORNAMENT



Can be purchased separately and switched out in the field for the standard gold ornament.

ITEM #	PRICE	LBS.
324177	\$2.30	.13

### 5' POLES

ITEM #	# OF SECTIONS	FINISH	6+ POLES	12+ POLES	24+ POLES	36+ POLES	LBS.
324174	2	SILVER	\$21.50	\$20.50	\$19.40	\$18.40	2.1
324175	2	WHITE	22.40	21.50	20.50	19.40	2.1
324176	2	WOOD GRAIN	26.00	23.50	22.40	21.40	2.1

### 6' POLES

ITEM #	# OF SECTIONS	FINISH	6+ POLES	12+ POLES	24+ POLES	36+ POLES	LBS.
324100	2	SILVER	\$22.50	\$21.50	\$20.50	\$19.50	2.3
324105	2	WHITE	23.50	22.40	21.40	20.50	2.3
324116	2	WOOD GRAIN	27.00	24.50	23.50	22.40	2.3

Individually poly bagged and packed 6 per master carton. All pricing and weights are for individual poles but these poles are sold in lots of 6 only.



## 1" DIAMETER ALUMINUM DISPLAY POLES

- COMES COMPLETE WITH:
- 2-Piece Aluminum Pole
  - Gold Vinyl Ball Ornament
  - 2 Flag Ties & Ground Sleeve

COMPLETE SETS - Can be mixed to achieve the higher quantity pricing.

MODEL	LENGTH	LBS.	SILVER MILL FINISH				BRIGHT GOLD ANODIZED FINISH					
			ITEM #	1-11	12-71	72-95	96+	ITEM #	1-11	12-71	72-95	96+
BPA600	6'	1.0	320000	\$26.00	\$24.50	\$23.50	\$22.50	320005	\$29.00	\$27.00	\$26.00	\$24.50
BPA700	7'	1.1	320001	29.00	27.00	26.00	24.50	320006	31.00	30.00	29.00	27.00
BPA800	8'	1.3	320002	30.00	29.00	27.00	26.00	320007	33.00	31.00	30.00	29.00
BPA900	9'	1.6	320003	31.00	30.00	29.00	27.00	320008	34.00	33.00	31.00	30.00
BPA1000	10'	1.7	320004	34.00	31.00	30.00	29.00	320009	36.00	34.00	33.00	31.00

### 1" DIAMETER SILVER POLES ONLY

Poles Only - No other accessories are included.

ITEM #	LENGTH	TYPE	PRICE	LBS.
320010	3'	PLAIN	\$7.10	.40
320011	3'	SWEDGED	7.80	.40
320012	4'	PLAIN	8.40	.55
320013	4'	SWEDGED	9.00	.55
320014	5'	PLAIN	9.70	.65
320015	5'	SWEDGED	10.10	.65
324184	6'	PLAIN	13.50	.80

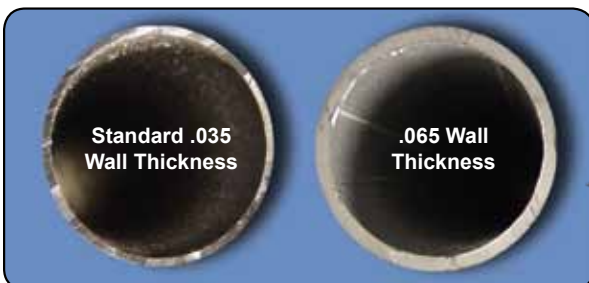
### 1" DIAMETER GOLD POLES ONLY

Poles Only - No other accessories are included.

ITEM #	LENGTH	TYPE	PRICE	LBS.
320016	3'	PLAIN	\$8.00	.40
320017	3'	SWEDGED	8.40	.40
320018	4'	PLAIN	9.70	.55
320019	4'	SWEDGED	10.20	.55
320020	5'	PLAIN	11.20	.65
320021	5'	SWEDGED	11.80	.65

## 1" DIAMETER HEAVY WALL ALUMINUM DISPLAY POLES

These 1" outside diameter clear anodized aluminum tubing sections feature a wall thickness of .065" - almost double the wall thickness of our standard aluminum tubing sections.



ITEM #	LENGTH	TYPE	PRICE	LBS.
324188	5'	PLAIN	\$12.50	1.2
324189	5'	SWEDGED	13.20	1.2
324190	6'	PLAIN	15.90	1.4

# OUTDOOR FLAGPOLES



## FIBERGLASS DISPLAY POLES

### COMES COMPLETE WITH:

- 1-Piece Fiberglass Pole
- Wood Ball Ornament
- 2 Flag Ties & Ground Sleeve

**COMPLETE SETS** - can be mixed to achieve the higher quantity pricing.

ITEM #	MODEL	LENGTH	DIA.	1-11	12-71	72-95	96+	LBS.
320022	BPFG500	5'	1"	\$26.00	\$23.50	\$22.50	\$21.50	1.6
320023	BPFG600	6'	1"	27.00	26.00	24.50	23.50	1.8
320024	BPFG800	8'	1"	33.00	31.00	30.00	27.00	2.3
320025	BPFG1000	10*	1"	38.00	36.00	33.00	31.00	2.8

\*10' pole cannot ship by UPS.

### 1" FIBERGLASS POLES ONLY

Poles Only - No other accessories are included.

ITEM #	MODEL	COLOR	LENGTH	1-5	6-11	12-24	25-49	50+	LBS.
320026	FPO-5	WHITE	5'	\$15.50	\$14.50	\$13.50	\$12.50	\$11.50	1.3
320027	FPO-6	WHITE	6'	16.50	15.50	14.50	13.50	12.50	1.5
324080	FPO-6	BLACK	6'	17.50	16.50	15.50	14.50	13.50	1.5
320028	FPO-8	WHITE	8'	21.50	19.50	18.50	17.50	16.50	2.0
320029	FPO-10	WHITE	10'	26.00	23.50	22.50	21.50	19.50	2.5

The 10' pole listed below cannot ship by UPS

### 3/4" FIBERGLASS POLES ONLY

Poles Only - No other accessories are included.

ITEM #	COLOR	LENGTH	1-5	6-11	12-23	24+	LBS.
323657	WHITE	6'	\$12.00	\$11.50	\$11.00	\$10.60	1.3
323444	BLACK	6'	13.00	12.00	11.00	10.00	1.3

1" Fiberglass Poles Only can be mixed to achieve the higher quantity pricing.



Shown above is the top of the 16' Fiberglass pole. All other poles are supplied with an acorn ornament.

• Unique design of clips, allows for adjustment of a variety of flag sizes, as well as locking the flag into place.

• The ultimate in flexibility - accommodates flags 1' x 2', 3' x 5' or any size in between.

## COLLAPSIBLE FLAGPOLES TO GO

All poles are silver including the new 16' Fiberglass pole.

ITEM #	MODEL	TYPE	EXTENDED LENGTH	CLOSED LENGTH	BOTTOM DIA.	TOP DIA.	1-5	6+	LBS.
320031	FTG-6	ALUMINUM	5'-10"	40"	7/8"	1/2"	\$27.00	\$25.00	.55
320032	FTG-65	ALUMINUM	6'-6"	19"	1 1/4"	1/2"	35.00	33.00	.90
320033	FTG-9	ALUMINUM	8'-8"	40"	7/8"	1/2"	30.00	28.00	.80
320034	FTG-12	ALUMINUM	11'-6"	40"	7/8"	1/2"	36.00	34.00	.95
320035	FTG-15	ALUMINUM	14'-4"	40"	1"	1/2"	50.00	47.00	1.6
320036	FTG-18	ALUMINUM	17'-2"	40"	1 1/8"	1/2"	56.00	52.00	2.0
324180	FTG-16F	FIBERGLASS	16'-0"	51"	1 5/8"	3/4"	74.00	70.00	2.7
320037	FTG-21	ALUMINUM	20'-0"	40"	1 1/4"	1/2"	62.00	60.00	2.3

Collapsible Flagpoles To Go can be mixed to achieve the higher quantity pricing.



## TAILGATE STANDS FOR FLAGPOLES TO GO

Two-piece design collapses to 2" tall for easy storage. Lightweight aluminum with an enamel coating to prevent oxidizing. Set screw locks pole into place and can hold all sizes of our collapsible poles except the Fiberglass pole.

ITEM #	1-5	6+	LBS.
323515	\$62.00	\$59.00	3.0

## LAWN-MATE FLAGPOLE

An all aluminum ground set flagpole available in 12' lengths. Flagpole consists of 1 3/8" diameter silver anodized, seamless aluminum tubing sections which swedge into each other providing a smooth exterior finish.

### COMPLETE SET

ITEM #	FINISH	# OF SECTIONS	1-5	6-11	12+	LBS.
320038	SILVER	2	\$73.00	\$71.00	\$69.00	4.1

### 1 3/8" DIAMETER SECTIONS ONLY

ITEM #	FINISH	LENGTH	DESCRIPTION	PRICE	LBS.
320039	SILVER	6'	PLAIN	\$26.00	1.4
320040	SILVER	6'	SWEDGED	27.00	1.4

### STANDARD FITTINGS INCLUDE:

- 2 1/2" gold vinyl ball ornament
- Nylon flag ties for securing flag to pole
- Heavy-duty cast aluminum ground sleeve with cap
- Can be shipped UPS



## TELESCOPING SUPERFLEX™ POLES

These fiberglass flagpoles sway in the breeze producing a dramatic, attention-getting display. Available in both 15' and 21' exposed height sizes and comes complete with 21" PVC ground sleeve and easy-to-follow instructions. The 15' pole is adjustable from 6' to 15' while the 21' pole is adjustable from 8' to 21'. When used in combination with our NeverFurl flag unfurlers on page 130, the visual effect is amazing. The number of flags recommended to be flown the 15' pole are: (1) 3' x 5' or (1) 4' x 6' or (2) 2' x 3'. The number of flags recommended to be flown on the 21' pole are: up to (2) 3' x 5' or up to (3) 2' x 3' or (1) 4' x 6' and (1) 3' x 5'. Note: the pricing below does not include any flags or flag unfurlers.



Vinyl tipped to prevent damage to flag.

Positive lock screw joints.

OPEN

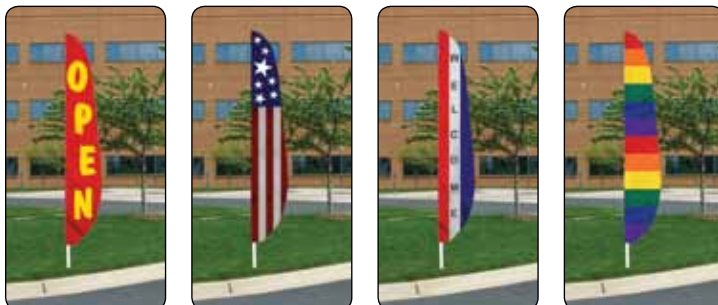
CLOSED

The perfect pole for Feather Flags.

Re-enforced bottom for extra durability.

### COMPLETE SETS w/GROUND SLEEVE

ITEM #	HEIGHT	COLOR	BUTT DIA.	TOP DIA.	1-5	6-11	12+	LBS.
323442	15'	WHITE	1 1/4"	3/4"	\$76.00	\$72.00	\$65.00	5.2
323443	21'	WHITE	1 1/4"	3/4"	82.00	79.00	69.00	7.0
324172	15'	BLACK	1 1/4"	3/4"	76.00	72.00	65.00	5.2
324173	21'	BLACK	1 1/4"	3/4"	82.00	79.00	69.00	7.0



### REPLACEMENT GROUND SLEEVES

ITEM #	LENGTH	PRICE	LBS.
324187	21"	\$6.50	.30

See pages 100 - 102 for Feather Flags



# OUTDOOR FLAGPOLES

## COLONIAL FLAGPOLES

All aluminum ground set flagpoles available in 12', 18' & 22' lengths. Flagpole consists of powder coated white painted seamless aluminum tubing sections which swedge together providing a smooth exterior finish.

### STANDARD FITTINGS INCLUDE:

- Eyebolt & pulley assembly for easy raising & lowering of flag
- Solid braided polypropylene halyard (rope) with 2 nylon flag snaps
- Cast nylon rope cleat with mounting screws
- Gold vinyl ball ornament
- Decorative display/storage box
- Heavy-duty ground sleeve
- Can be shipped UPS

**COMPLETE SETS** - Complete sets can be mixed to achieve the higher quantity pricing.

ITEM #	MODEL	OVERALL LENGTH	BUTT/TOP DIAMETER	# OF SECTIONS	1-5	6-11	12-23	24+	LBS.
320041	WA12	12'	1 <sup>3</sup> / <sub>8</sub> "	3	\$89.00	\$84.00	\$81.00	\$73.00	4.5
320042	WA18	18'	1 <sup>5</sup> / <sub>8</sub> "	4	109.00	103.00	99.00	97.00	7.2
320043	WA22	22'	1 <sup>3</sup> / <sub>4</sub> "	4	161.00	154.00	150.00	144.00	11



Complete sets shipped in decorative display box.

Tubing sections swedge together perfectly providing a smooth exterior finish.

### 18' COLONIAL FLAGPOLE

In Shrink-wrapped Open Display Box

Identical to our 18' colonial flagpole described above except this set comes complete with a 3' x 5' Endura-PC™ U.S. flag. This set is a perfect choice where point-of-purchase impact is desired. Each set comes individually boxed to protect the graphics & shrink film.

ITEM #	MODEL	1-5	6-11	12-23	24+	LBS.
320052	SW18	\$113.00	\$105.00	\$103.00	\$101.00	8.7

With 3' x 5' U.S. Flag



### SECTIONS ONLY

ITEM #	FOR POLE MODEL	LENGTH	DIA.	FINISH	DESCRIPTION	PRICE	LBS.
320044	WA12	48"	1 <sup>3</sup> / <sub>8</sub> "	WHITE	PLAIN - NO DRILLING	\$18.50	1.1
324087	WA12	48"	1 <sup>3</sup> / <sub>8</sub> "	WHITE	PLAIN - DRILLED FOR PULLEY	19.50	1.1
320045	WA12	48"	1 <sup>3</sup> / <sub>8</sub> "	WHITE	SWEDGED - NO DRILLING	19.50	1.1
320046	WA12	48"	1 <sup>3</sup> / <sub>8</sub> "	WHITE	SWEDGED - DRILLED FOR CLEAT	20.50	1.1
320047	WA18	54"	1 <sup>5</sup> / <sub>8</sub> "	WHITE	SWEDGED - NO DRILLING*	21.50	1.4
320048	WA18	54"	1 <sup>5</sup> / <sub>8</sub> "	WHITE	SWEDGED - DRILLED FOR CLEAT*	22.50	1.4
323984	WA18	54"	1 <sup>5</sup> / <sub>8</sub> "	WHITE	SWEDGED - DRILLED FOR PULLEY*	22.40	1.4
320049	WA22	66"	1 <sup>3</sup> / <sub>4</sub> "	WHITE	PLAIN - NO DRILLING	24.50	1.8
324088	WA22	66"	1 <sup>3</sup> / <sub>4</sub> "	WHITE	PLAIN - DRILLED FOR PULLEY	26.00	1.8
320050	WA22	66"	1 <sup>3</sup> / <sub>4</sub> "	WHITE	SWEDGED - NO DRILLING	26.00	1.8
320051	WA22	66"	1 <sup>3</sup> / <sub>4</sub> "	WHITE	SWEDGED - DRILLED FOR CLEAT	27.00	1.8

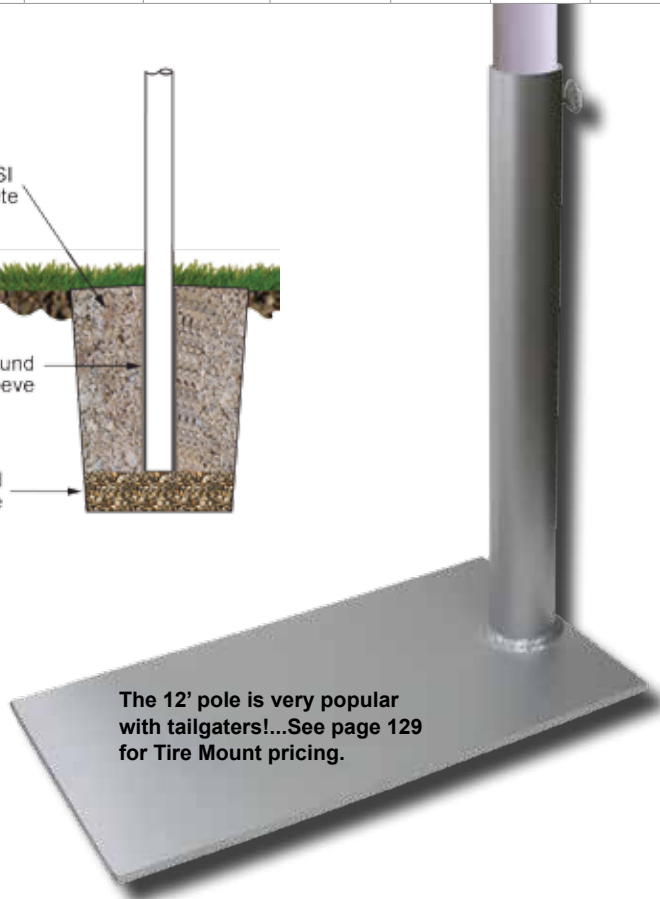
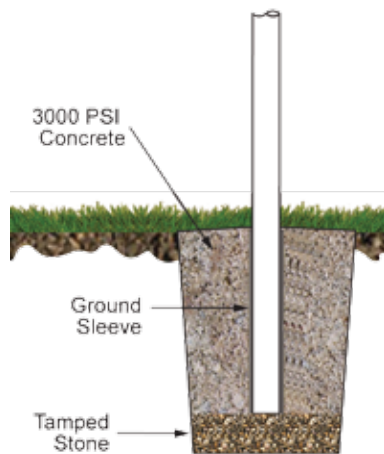
\*The WA18 is supplied with all swedged sections.

## WHITE TITAN FLAGPOLES

These flagpoles offer exceptional quality at a budget price. The flagpole tubing sections are heavy-duty 19 gauge first run quality steel. The entire inside length of the flagpole is galvanized to prevent rusting while the outside is beautifully finished with a white polyester powder coated painted finish. The tubing sections swedge together perfectly to provide a smooth exterior finish. All of these flagpoles are complete with a gold vinyl ball ornament, pulley assembly, rope (half-yard), a cast nylon rope cleat with mounting screws, nylon flag snaps, PVC foundation sleeve and easy-to-follow installation instructions. All sizes are UPSable.

**COMPLETE SETS** - Complete sets can be mixed to achieve the higher quantity pricing.

ITEM #	MODEL	EXPOSED HEIGHT	BUTT/TOP DIAMETER	# OF SECTIONS	1-5	6-11	12-23	24+	LBS.
323430	WT12	12'	1 <sup>3</sup> / <sub>8</sub> "	3	\$88.00	\$86.00	\$84.00	\$80.00	10
323431	WT18	18'	1 <sup>5</sup> / <sub>8</sub> "	4	106.00	101.00	99.00	97.00	16
323432	WT22	22'	1 <sup>3</sup> / <sub>4</sub> "	5	165.00	159.00	154.00	143.00	22



The 12' pole is very popular with tailgaters!...See page 129 for Tire Mount pricing.

### SECTIONS ONLY

ITEM #	FOR POLE MODEL	LENGTH	DIA.	FINISH	DESCRIPTION	PRICE	LBS.
323433	WT12	54 <sup>1</sup> / <sub>2</sub> "	1 <sup>3</sup> / <sub>8</sub> "	WHITE	PLAIN - NO DRILLING	\$21.50	2.6
324089	WT12	54 <sup>1</sup> / <sub>2</sub> "	1 <sup>3</sup> / <sub>8</sub> "	WHITE	PLAIN - DRILLED FOR PULLEY	21.50	2.6
323434	WT12	54 <sup>1</sup> / <sub>2</sub> "	1 <sup>3</sup> / <sub>8</sub> "	WHITE	SWEDGED - NO DRILLING	22.50	2.6
323435	WT12	54 <sup>1</sup> / <sub>2</sub> "	1 <sup>3</sup> / <sub>8</sub> "	WHITE	SWEDGED - DRILLED FOR CLEAT	23.50	2.6
323436	WT18	61 <sup>1</sup> / <sub>2</sub> "	1 <sup>5</sup> / <sub>8</sub> "	WHITE	PLAIN - NO DRILLING	23.50	3.5
324090	WT18	61 <sup>1</sup> / <sub>2</sub> "	1 <sup>5</sup> / <sub>8</sub> "	WHITE	PLAIN - DRILLED FOR PULLEY	23.50	3.5
323437	WT18	61 <sup>1</sup> / <sub>2</sub> "	1 <sup>5</sup> / <sub>8</sub> "	WHITE	SWEDGED - NO DRILLING	24.50	3.5
323438	WT18	61 <sup>1</sup> / <sub>2</sub> "	1 <sup>5</sup> / <sub>8</sub> "	WHITE	SWEDGED - DRILLED FOR CLEAT	24.50	3.5
323439	WT22	61 <sup>1</sup> / <sub>2</sub> "	1 <sup>3</sup> / <sub>4</sub> "	WHITE	PLAIN - NO DRILLING	27.00	3.8
324091	WT22	61 <sup>1</sup> / <sub>2</sub> "	1 <sup>3</sup> / <sub>4</sub> "	WHITE	PLAIN - DRILLED FOR PULLEY	27.00	3.8
323440	WT22	61 <sup>1</sup> / <sub>2</sub> "	1 <sup>3</sup> / <sub>4</sub> "	WHITE	SWEDGED - NO DRILLING	27.00	3.8
323441	WT22	61 <sup>1</sup> / <sub>2</sub> "	1 <sup>3</sup> / <sub>4</sub> "	WHITE	SWEDGED - DRILLED FOR CLEAT	28.00	3.8

# OUTDOOR FLAGPOLES

## HOMESTEADER FLAGPOLES

All aluminum ground set flagpoles available in 10', 15', 20', & 25' exposed heights. Flagpole consists of silver anodized, seamless aluminum tubing sections which swedge together providing a smooth exterior finish.

### STANDARD FITTINGS INCLUDE:

- Gold anodized aluminum ball ornament  
3" diameter on HS10, HS15 & HS20  
4" diameter on HS25 & HS20HD
- Cast aluminum truck with pulley
- Polypropylene halyard with 2 nylon flag snaps
- Cast nylon rope cleat with mounting screws
- Heavy-duty ground sleeve
- Decorative display/storage box is UPSable

### COMPLETE SETS WITH SILVER ANODIZED FINISH

ITEM #	MODEL	EXPOSED HEIGHT	BUTT/TOP DIAMETER	# OF SECTIONS	1-2	3-6	7-12	13-24	25-49	50+	LBS.
320053	HS10	10'	2"	2	\$114.00	\$112.00	\$110.00	\$108.00	\$105.00	\$102.00	8.1
320054	HS15	15'	2"	3	129.00	126.00	124.00	121.00	119.00	116.00	11
320055	HS20	20'	2"	4	148.00	146.00	144.00	142.00	138.00	136.00	13
460080	HS20HD	20'	2 1/2"	5	217.00	215.00	213.00	211.00	209.00	207.00	23
320056	HS25	25'	2 1/2"	6	285.00	278.00	272.00	265.00	259.00	255.00	26

Each set contains a 3' x 5' Nylon U.S. Flag with embroidered stars & sewn stripes.

Each display box is individually boxed to protect the graphics & shrink film.

All Homesteader Flagpole Sets can be mixed to achieve the higher quantity pricing.

### HOMESTEADER FLASH COLLARS

8" Outside Diameter  
2 1/4" High with Clear Anodized Finish



ITEM #	FOR MODEL #	1-5	6+	LBS.
320064	HS10, HS15, HS20	\$27.00	\$24.50	.50
320065	HS20HD, HS25	27.00	24.50	.50

**15' & 20' HOMESTEADERS IN POINT-OF-PURCHASE DISPLAY BOX**  
In Shrink-Wrapped Open Display Box

### COMPLETE SETS WITH SILVER ANODIZED FINISH

ITEM #	MODEL	EXPOSED HEIGHT	DIA.	# OF SECTIONS	1-2	3-6	7-12	13-24	25-49	50+	LBS.
320066	HS15-CD	15'	2"	4	\$154.00	\$152.00	\$150.00	\$148.00	\$146.00	\$144.00	13
320067	HS20-CD	20'	2"	5	171.00	169.00	167.00	165.00	163.00	161.00	15

### SILVER ANODIZED SECTIONS ONLY

ITEM #	LENGTH	DIA.	FINISH	DESCRIPTION	PRICE	LBS.
320057	70"	2"	SILVER	PLAIN - NO DRILLING	\$27.00	2.2
320058	70"	2"	SILVER	PLAIN - DRILLED FOR CLEAT	28.00	2.2
320059	70"	2"	SILVER	SWEDGED - NO DRILLING	28.00	2.2
320060	70"	2"	SILVER	SWEDGED - DRILLED FOR CLEAT	29.00	2.2
320068	56"	2"	SILVER	PLAIN - NO DRILLING	23.50	1.7
320069	56"	2"	SILVER	SWEDGED - NO DRILLING	24.50	1.7
320070	56"	2"	SILVER	SWEDGED - DRILLED FOR CLEAT	26.00	1.7
320061	59"	2 1/2"	SILVER	PLAIN - NO DRILLING	34.00	3.0
320062	59"	2 1/2"	SILVER	SWEDGED - NO DRILLING	35.00	3.0
320063	59"	2 1/2"	SILVER	SWEDGED - DRILLED FOR CLEAT	37.00	3.0

## 20' TAPERED HOMESTEADER FLAGPOLE

With a Butt Diameter of 3" Tapering to a Top Diameter of 2"

All aluminum ground set flagpole available in 20' exposed height with a butt diameter of 3" tapering to a top diameter of 2". Flagpole consists of silver anodized, seamless aluminum tuning sections which swedge together providing a smooth, tapering appearance.



- Cast nylon rope cleat with mounting screws
- Heavy-duty ground sleeve
- Kraft shipper/storage box is UPSable
- 3" gold anodized aluminum ball ornament
- Cast aluminum truck with pulley
- Polypropylene halyard with 2 nylon flag snaps



Unique swedge and flared-cup design provides a smooth tapering appearance.

### COMPLETE SETS WITH SILVER ANODIZED FINISH

ITEM #	MODEL	EXPOSED HEIGHT	# OF SECTIONS	1-2	3-6	7-12	13-24	25-49	50+	LBS.
320077	TH20	20'	5	\$287.00	\$278.00	\$270.00	\$261.00	\$251.00	\$236.00	19

### SILVER ANODIZED SECTIONS ONLY

ITEM #	MODEL	DIA.	LENGTH	DESCRIPTION	PRICE	LBS.
320078	THS-1	3"	56"	BOTTOM SECTION	\$43.00	2.4
320079	THS-2	3"	56"	2 <sup>ND</sup> FROM BOTTOM - DRILLED FOR CLEAT	45.00	2.4
320080	THS-3	2 <sup>5/8</sup> "	56"	3 <sup>RD</sup> FROM BOTTOM SECTION	41.00	2.2
320081	THS-4	2 <sup>1/4</sup> "	56"	4 <sup>TH</sup> FROM BOTTOM SECTION	39.00	1.8
320082	THS-5	2"	56"	TOP SECTION	35.00	1.7

## 10' HOMESTEADER OUTRIGGER FLAGPOLES

Standard accessories include 3" gold anodized aluminum ball ornament, cast aluminum truck with pulley, 30' polypropylene halyard with 2 nylon flag snaps, cast nylon cleat with mounting screws and 30° or 45° mounting bracket (mounting hardware not included). All sets come with two 2" diameter sections and can be shipped by UPS.



45° BRACKET

### COMPLETE SETS WITH SILVER ANODIZED FINISH

ITEM #	MODEL	DESCRIPTION	1-5	6+	LBS.
320071	HSO10-30	w/30° BRACKET	\$195.00	\$189.00	12
320072	HSO10-45	w/45° BRACKET	191.00	183.00	10



30° BRACKET

### MOUNTING BRACKETS ONLY

ITEM #	ANGLE	FINISH	1-5	6+	LBS.
320073	30°	SILVER	\$79.00	\$75.00	3.4
320074	45°	SILVER	71.00	68.00	1.1

## 10' HOMESTEADER VERTICAL WALL MOUNTED FLAGPOLES

Standard accessories include 3" gold anodized aluminum ball ornament, cast aluminum truck with pulley, 30' polypropylene halyard with 2 nylon flag snaps, cast nylon cleat with mounting screws and mounting brackets (mounting hardware not included). Set comes with two 2" diameter sections and can be shipped by UPS.



### COMPLETE SETS WITH SILVER ANODIZED FINISH

ITEM #	MODEL	1-5	6+	LBS.
320075	HSV10	\$180.00	\$173.00	11

### MOUNTING BRACKETS ONLY Priced Per Set

ITEM #	FINISH	1-5	6+	LBS.
320076	SILVER	\$64.00	\$60.00	2.9





Simply press the "release" button to lower the pole



Easy Installation

## TELESCOPING FLAGPOLES

Aluminum Flagpoles Available in Exposed Heights of 15', 20' & 25'

**Rope and Pulley Free**  
No tangles or knots

**Noise Free**  
No clanging ropes

**Maintenance Free**  
No Painting, No Rust

**Sturdy 16 Gauge Aluminum**  
Durable

A convenient flick of a spring release button extends or retracts these flagpoles in seconds. Standard fittings include polycarbonate swivel rings including a double flag harness which allows flying two flags, a clear polycarbonate collar which fits around the lowest button on the pole to prevent unauthorized raising or lowering of the flagpole. This collar can be secured with a nut and bolt or a small lock (not included). The 15' and 20' poles are supplied with a 3" gold anodized aluminum ball. The 25' pole is not supplied with a ball ornament, however, we suggest a 4" diameter ball which can be ordered separately. All are supplied with a heavy duty PVC foundation sleeve. Note: All exposed heights include the ball ornament and are approximate.

MODEL	EXP. HT.	BUTT DIA.	TOP DIA.	LBS.	CLEAR ANODIZED			BRONZE ANODIZED			BLACK ANODIZED			WHITE PAINTED						
					ITEM #	1-2	3-6	7+	ITEM #	1-2	3-6	7+	ITEM #	1-2	3-6	7+	ITEM #	1-2	3-6	7+
T16	15'	2 1/4"	1 3/4"	12	320083	\$300	\$290	\$280	320085	\$390	\$380	\$370	320087	\$350	\$340	\$330	320089	\$370	\$350	\$340
T20	20'	2 1/2"	1 3/4"	17	320084	365	355	345	320086	410	400	380	320088	410	400	380	320090	420	410	400
T25	25'	3"	1 3/4"	28	323446	520	500	490												



**SLEEVE CLAMP**  
Stainless Steel Prevents Lifting Pole out of Ground Sleeve



**ALUMINUM TRAILER HITCH MOUNT**  
For Standard 2" Square Reese Receiver Hitches



**ALUMINUM SIDE MOUNT**  
Mounts to any Flat or Round Surface

ITEM #	DESCRIPTION	PRICE	LBS.
320091	FOR 15' POLE	\$33.00	.30
320092	FOR 20' POLE	33.00	.30

ITEM #	DESCRIPTION	PRICE	LBS.
323445	FOR 15' & 20' POLES	\$95.00	5.2

ITEM #	DESCRIPTION	PRICE	LBS.
320095	FOR 15' & 20' POLES	\$78.00	3.3



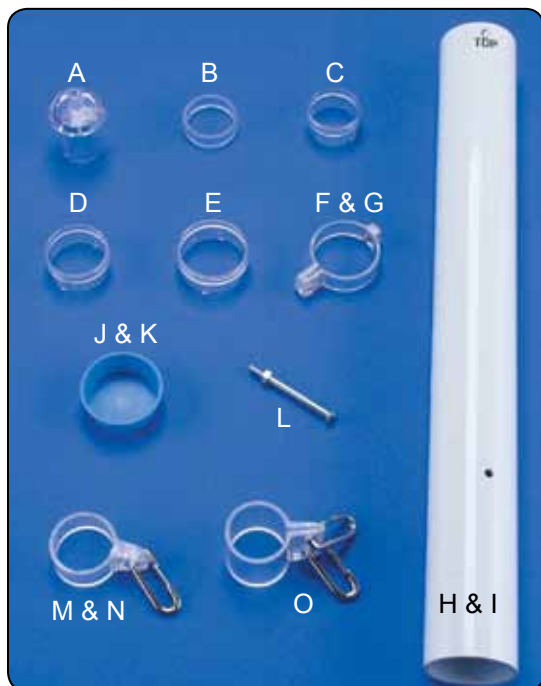
**ALUMINUM WHEEL MOUNT**

ITEM #	DESCRIPTION	PRICE	LBS.
320093	FOR 15' & 20' POLES	\$120.00	12



**ALUMINUM DOCK MOUNT**

ITEM #	DESCRIPTION	PRICE	LBS.
320094	FOR 15' & 20' POLES	\$80.00	4.7



## REPLACEMENT PARTS

ITEM #	DESCRIPTION	PRICE	LBS.
A 320096	TOP ORNAMENT FITTING FOR 15' & 20' POLES	\$9.00	.10
B 320097	TOP STOP RING FOR 15' & 20' POLES	3.00	.05
C 320098	SMALL BUSHING FOR 15' & 20' POLES	3.00	.05
D 320099	MEDIUM BUSHING FOR 15' & 20' POLES	3.00	.05
E 320100	LARGE BUSHING FOR 20' POLE	3.00	.05
F 320101	PIN LOCK FOR 15' POLE	12.50	.05
G 320102	PIN LOCK FOR 20' POLE	12.50	.05
H 320105	FOUNDATION SLEEVE FOR 15' POLE*	20.00	1.4
I 320106	FOUNDATION SLEEVE FOR 20' POLE	20.00	1.4
J 320107	FOUNDATION SLEEVE CAP FOR 15' POLE	2.50	.02
K 320108	FOUNDATION SLEEVE CAP FOR 20' POLE	2.50	.02
L 320109	FOUNDATION SLEEVE PIN BOLT FOR 15' & 20' POLES	2.80	.10
M 320110	TOP FLAG HARNESS FOR 15' & 20' POLES	10.00	.15
N 320111	BOTTOM FLAG HARNESS FOR 15' & 20' POLES	14.00	.15
O 320112	DOUBLE FLAG HARNESS FOR 15' & 20' POLES	16.00	.20

\*Sleeve cap & sleeve pin bolt are supplied with foundation sleeve.



## GROUND SET CONE TAPERED ALUMINUM (6063-T6) FLAGPOLES



### GENERAL INFORMATION

Our cone tapered ground set aluminum flagpoles are precision fabricated from new, **6063-T6** tubing utilizing the industry's most sophisticated, state-of-the-art manufacturing processes. The conical portion tapers approximately 1" in every 5<sup>1</sup>/<sub>2</sub> feet. Poles with overall lengths of less than 38'6" are shipped in one piece. Longer lengths are shipped in sections and will be factory fitted with a self-aligning sleeve which requires no field welding. Upon proper assembly a hair-line joint will occur.

All poles are double spiral wrapped with protective paper and shipped in a hard fiber tube. **“Warning” - The flagpole shaft will stain if allowed to remain in contact with wet or damp wrappings. If there is any sign that the shaft or its shipping tube has come in contact with water during shipment, remove it from the tube and unwrap immediately. If the shaft is to be stored outdoors, it must be stored unwrapped, and off the ground. If the shaft is to be stored indoors, it may be left in the wrappings and the tube, provided that it shows no sign of having been exposed to moisture, and that it will not be exposed to moisture during storage.**

All foundation dimensions listed in this catalog are intended for general guidelines only in good, firm, dry soil. It is recommended to consult and engineer for specific foundation dimensions suited to your exact location. **“Warning” - Extreme care must be exercised when installing flagpoles near overhead power lines or when digging in the vicinity of buried cable or piping. Contact your local authorities before any digging.**

### STANDARD FINISHES

All flagpole shafts are highly polished with fine grain aluminum oxide cloth resulting in a high quality, deep satin lustre finish. This finish represents the ultimate in architectural finishes for aluminum flagpoles. The elegant, soft sheen remains maintenance free. In addition to satin, the following anodized finishes are available as standard colors: clear, light bronze #311, medium bronze #312, dark bronze #313 & black #335. *Note: of the three bronze finishes, dark bronze #313 is supplied unless otherwise specified.*

### CUSTOM FINISHES

In addition to the above standard finishes, we offer alternate finishes which may suit particular job conditions better including custom paint colors. Contact us for a prompt quotation on custom finishes.



SATIN



CLEAR



BRONZE #311



BRONZE #312



BRONZE #313



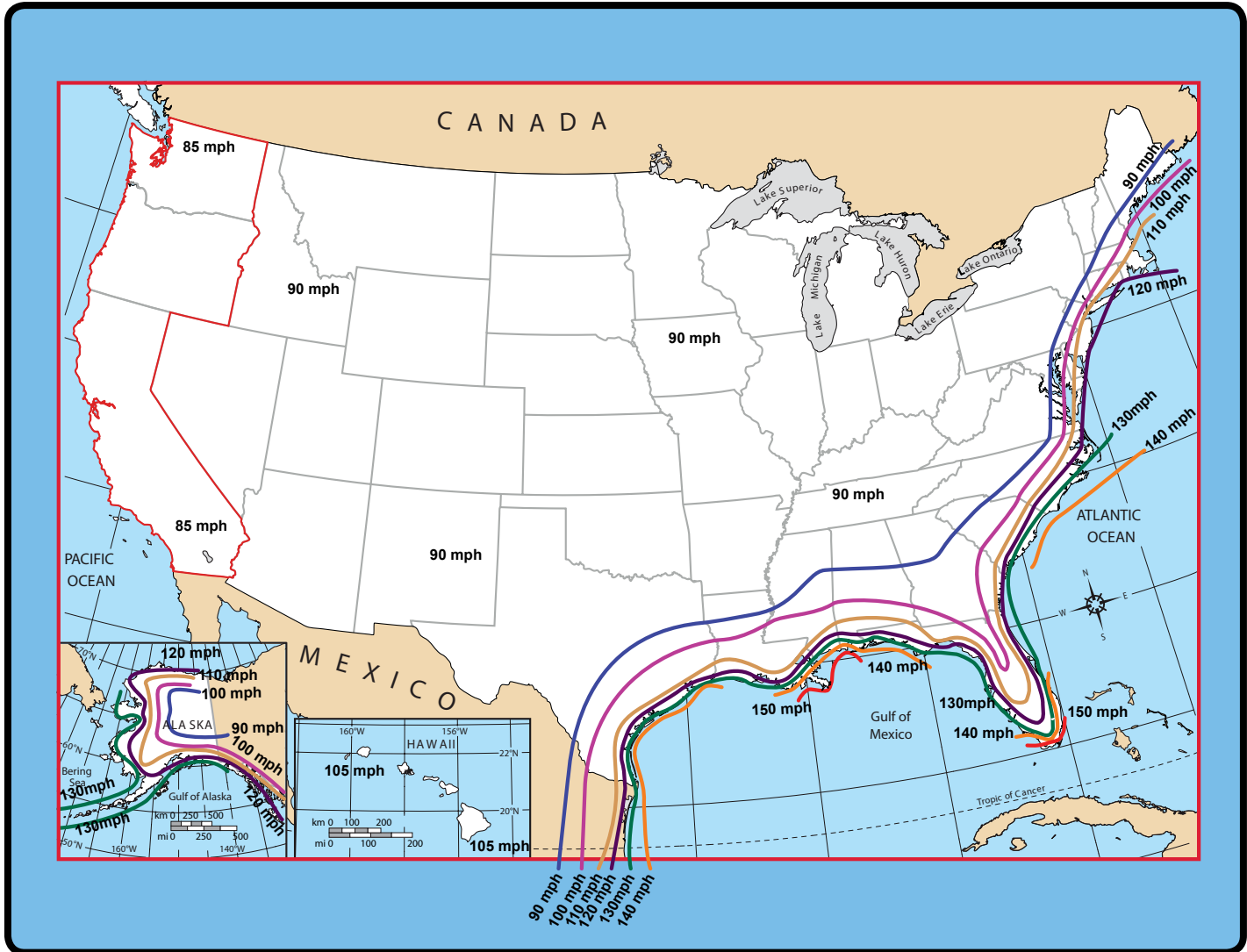
BLACK

# OUTDOOR FLAGPOLES

## GROUND SET CONE TAPERED ALUMINUM FLAGPOLES

### WIND CHART

The map below shows the maximum steady wind expected at an elevation of thirty feet above ground level within a fifty-year period of recurrence. Areas with the same maximum constant or steady wind speed are indicated. Because wind speeds are usually not constant, and gusts are involved, flagpoles (both flagged and unflagged) are listed in this catalog with a constant wind speed and a 1.3 gust factor. "WARNING" - recommended flag sizes throughout this catalog do not represent a warranty that the flag size shown may be safely flown in all wind speeds. Personal injury, flagpole damage or property damage can occur when flying oversized flags and banners or flying flags in higher winds than recommended. Flagpoles and their associated wind speeds listed assume that ten percent of the overall length of the flagpole is buried per or recommendations at or near ground level. Special engineering may be required for other applications such as wall or roof mounted flagpoles. Contact us for a prompt response regarding any situation that may require special engineering.



**Design of safe flagpoles requires knowledge of the loads to which they will be subjected.** Principal load acting on flagpoles is wind load and that load must be carefully determined. Maximum wind speeds to which flagpoles are exposed depend on geographical location, whether or not it is in the center of a large city, a small town's outskirts, seashore, at ground level or on the roof of a high building. Wind speeds generally are higher along coastal areas than inland. They are also higher in open country than in the center of cities. Wind speed also becomes greater as height above ground increases. Wind exerts a force on the pole as well as the flag, thus both loads must be added to determine total load. Flags of different sizes are designed to be flown from different poles. **Obviously, it is important that flagpoles be selected which are capable of supporting the largest flag intended to be flown in the highest wind speed to which it will be subjected.** Loads on flagpoles are resisted by the mounting foundation, roof or wall to which it is secured.

# OUTDOOR FLAGPOLES

## ARCHITECTURAL SERIES

External Halyard Ground Set Cone Tapered Aluminum Flagpoles

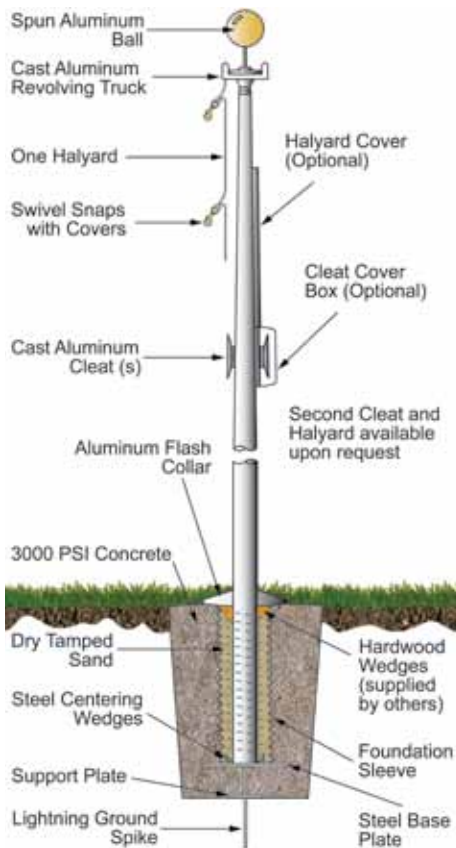
### STANDARD ACCESSORIES

- Gold anodized aluminum ball ornament
- Cast aluminum revolving truck w/pulley
- Solid braided polypropylene halyard
- Swivel flag snaps w/vinyl snap covers
- Cast aluminum cleat with mounting screws
- Spun aluminum flash collar
- Galvanized steel foundation sleeve

MODEL	EXPOSED HEIGHT	OVERALL LENGTH	BUTT DIA.	TOP DIA.	WALL	MAX. UNFLAGGED WIND SPEED	MAX. FLAGGED WIND SPEED	MAX. SUGGESTED FLAG SIZE	SHIPPING WEIGHT
EC20	20'	23'	5"	3"	.188	315 MPH	120+ MPH	5' x 8'	122 lbs
EC25	25'	27'	6"	3 1/2"	.188	250 MPH	120+ MPH	5' x 8'	181 lbs.
EC30	30'	33'	6"	3 1/2"	.188	211 MPH	120+ MPH	5' x 8'	217 lbs.
EC35	35'	38 1/2'	7"	3 1/2"	.188	202 MPH	120 MPH	6' x 10'	271 lbs.
EC40	40'	44'	8"	3 1/2"	.188	203 MPH	120 MPH	8' x 12'	309 lbs.
EC45	45'	49'	8"	3 1/2"	.188	166 MPH	100 MPH	8' x 12'	361 lbs.
EC50	50'	55'	10"	4"	.188	185 MPH	115 MPH	10' x 15'	513 lbs
EC60	60'	66'	12"	4"	.250	213 MPH	120 MPH	12' x 18'	833 lbs.
EC70	70'	77'	12"	4"	.250	169 MPH	105 MPH	15' x 25'	978 lbs.
EC80	80'	88'	12"	4"	.375	174 MPH	105 MPH	20' x 30'	1357 lbs.



All flagpole models marked with an asterisk ( \* ) are now available in both one and two section styles; please specify when placing your order. If not specified, one section pole(s) will be shipped. **Add 10% to the pricing below for two section style flagpoles.**



### SATIN

MODEL	ITEM #	1-2	3-6	7+
EC20	320113	\$1,290	\$1,220	\$1,160
EC25	320114	1,630	1,570	1,490
EC30*	320115	1,880	1,800	1,690
EC35*	320116	2,520	2,390	2,260
EC40	320117	3,280	3,150	2,980
EC45	320118	3,690	3,510	3,330
EC50	320119	4,990	4,760	4,520
EC60	320120	9,650	9,170	8,690
EC70	320121	10,870	10,330	9,780
EC80	320122	13,630	13,060	12,370

### CLEAR ANODIZED

MODEL	ITEM #	1-2	3-6	7+
EC20	320123	\$1,530	\$1,470	\$1,390
EC25	320124	1,960	1,840	1,760
EC30*	320125	2,250	2,150	2,020
EC35*	320126	3,000	2,870	2,690
EC40	320127	3,920	3,720	3,510
EC45	320128	4,350	4,120	3,900
EC50	320129	6,080	5,780	5,470
EC60	320130	10,870	10,320	9,770
EC70	320131	12,260	11,660	11,040
EC80	320132	15,630	14,830	14,070

**Read Carefully**

### BRONZE ANODIZED

MODEL	ITEM #	1-2	3-6	7+
EC20	320133	\$1,560	\$1,500	\$1,410
EC25	320134	1,990	1,910	1,790
EC30*	320135	2,320	2,190	2,080
EC35*	320136	3,090	2,930	2,760
EC40	320137	4,030	3,830	3,620
EC45	320138	4,480	4,240	4,030
EC50	320139	6,260	5,970	5,630
EC60	320140	11,120	10,560	10,000
EC70	320141	12,560	11,920	11,290
EC80	320142	15,940	15,150	14,300

### BLACK ANODIZED

MODEL	ITEM #	1-2	3-6	7+
EC20	320143	\$1,630	\$1,550	\$1,460
EC25	320144	2,110	2,010	1,900
EC30*	320145	2,460	2,340	2,200
EC35*	320146	3,240	3,070	2,900
EC40	320147	4,240	4,030	3,810
EC45	320148	4,710	4,490	4,240
EC50	320149	6,600	6,250	5,940
EC60	320150	11,520	10,940	10,360
EC70	320151	13,050	12,380	11,740
EC80	320152	16,490	15,680	14,840

**Add \$30.00 to any of the flagpole pricing above for double cleat-double halyard flagpoles.**

All poles on pages 139 through 161 can be mixed to achieve the higher quantity pricing, but shipment must be made to the same location at the same time.

# OUTDOOR FLAGPOLES

## HURRICANE SERIES FLAGPOLES

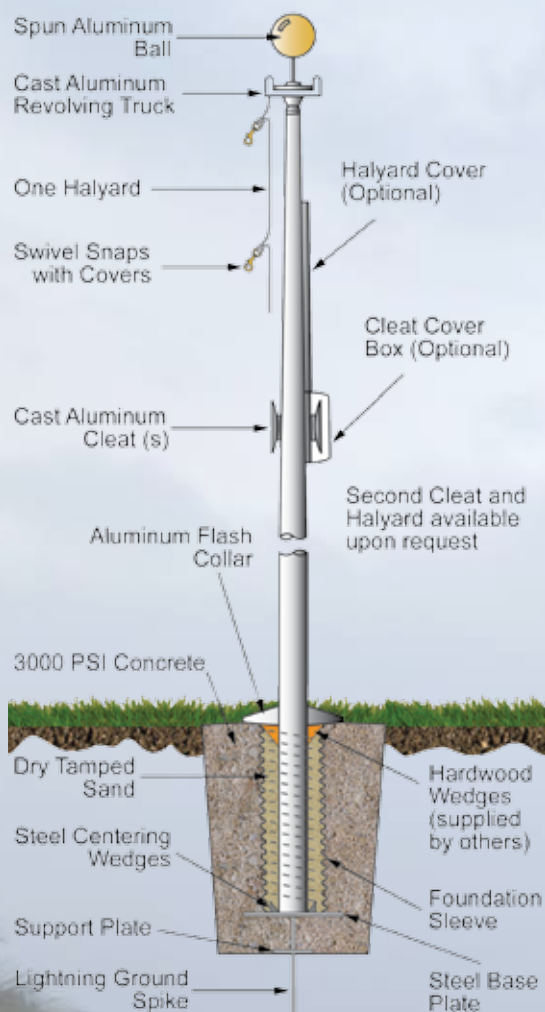
External Halyard Ground Set Cone Tapered Aluminum Flagpoles

Increased Wall Thickness and/or Butt Diameter Make These Poles the Best Choice for High Wind Locations

### STANDARD ACCESSORIES

- Gold anodized aluminum ball ornament
- Cast aluminum revolving truck w/pulley
- Solid braided polypropylene halyard
- Swivel flag snaps w/vinyl snap covers
- Cast aluminum cleat with mounting screws
- Spun aluminum flash collar
- Galvanized steel foundation sleeve

EXPOSED HEIGHT	# OF SECTIONS	OVERALL LENGTH	BUTT DIA.	TOP DIA.	WALL	MAX. UNFLAGGED WIND SPEED	MAX. FLAGGED WIND SPEED	SUGGESTED FLAG SIZE	SHIPPING WEIGHT
25'	1	27'	6"	3 1/2"	.250	255 MPH	150+ MPH	4' x 6'	233 lbs.
30'	2	33'	6"	3 1/2"	.250	241 MPH	150+ MPH	5' x 8'	322 lbs.
35'	2	38 1/2'	8"	3 1/2"	.250	255 MPH	150 MPH	6' x 10'	351 lbs.
40'	2	44'	8"	3 1/2"	.250	231 MPH	150 MPH	8' x 12'	399 lbs.
50'	3	55'	10"	4"	.312	230 MPH	150 MPH	10' x 15'	625 lbs



### SATIN

MODEL	ITEM #	1-2	3-6	7+
ECH25	324117	\$2,200	\$2,100	\$2,010
ECH30	324118	2,990	2,860	2,740
ECH35	324119	3,370	3,220	3,100
ECH40	324120	3,880	3,720	3,570
ECH50	324121	7,240	6,950	6,670

### CLEAR ANODIZED

MODEL	ITEM #	1-2	3-6	7+
ECH25	324122	\$2,480	\$2,380	\$2,240
ECH30	324123	3,360	3,210	3,090
ECH35	324124	3,880	3,720	3,570
ECH40	324125	4,500	4,310	4,150
ECH50	324126	8,120	7,800	7,490

### BRONZE ANODIZED

MODEL	ITEM #	1-2	3-6	7+
ECH25	324127	\$2,580	\$2,480	\$2,380
ECH30	324128	3,430	3,290	3,160
ECH35	324129	4,050	3,890	3,730
ECH40	324130	4,640	4,470	4,280
ECH50	324131	8,400	8,080	7,740

### BLACK ANODIZED

MODEL	ITEM #	1-2	3-6	7+
ECH25	324132	\$2,710	\$2,600	\$2,500
ECH30	324133	3,580	3,450	3,290
ECH35	324134	4,270	4,110	3,950
ECH40	324135	4,900	4,700	4,520
ECH50	324136	8,770	8,430	8,090

Add \$30.00 to any of the flagpole pricing above for double cleat-double halyard flagpoles.

All poles on pages 139 through 161 can be mixed to achieve the higher quantity pricing, but shipment must be made to the same location at the same time.

# OUTDOOR FLAGPOLES

## HURRICANE SERIES FLAGPOLES

Internal Halyard Ground Set Cone Tapered Aluminum Flagpoles

**Increased Wall Thickness and/or Butt Diameter Make These Poles the Best Choice for High Wind Locations**

These deluxe internal halyard flagpoles contain a winch mounted inside the flagpole shaft, operable only with a removable crank handle. As the stainless steel cable unwinds from the winch, it passes up through the inside of the flagpole shaft, over the truck sheave to the outside of the shaft, where the retaining ring provides a sliding anchor. A counterweight, heavily coated with neoprene, attached to the retaining ring, allows the halyard to be lowered for fastening or removing the flag. The halyard is then raised completely out of reach of vandals. The improved winch is gearless and self-locking at any point, eliminating the need for a separate brake. This direct drive winch provides rapid raising and lowering of the flag with little effort. This new, improved design does not require any welding, thus avoiding discoloration when an anodized finish is desired. No monthly lubrication is needed and this winch system is easily adaptable to existing on-site flagpoles.



No welding required, thus no discoloration when anodized, No monthly lubrication.

### SATIN

MODEL	ITEM #	1-2	3-6	7+
ECH25IH	324137	\$3,620	\$3,480	\$3,350
ECH30IH	324138	4,460	4,270	4,110
ECH35IH	324139	4,900	4,700	4,520
ECH40IH	324140	5,550	5,320	5,110
ECH50IH	324141	9,040	8,680	8,320

### CLEAR ANODIZED

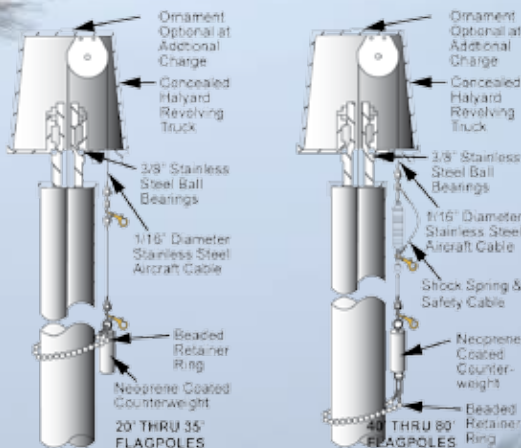
MODEL	ITEM #	1-2	3-6	7+
ECH25IH	324142	\$3,900	\$3,740	\$3,590
ECH30IH	324143	4,830	4,640	4,460
ECH35IH	324144	5,420	5,210	4,990
ECH40IH	324145	6,160	5,920	5,680
ECH50IH	324146	9,950	9,550	9,170

### BRONZE ANODIZED

MODEL	ITEM #	1-2	3-6	7+
ECH25IH	324147	\$4,010	\$3,860	\$3,690
ECH30IH	324148	4,900	4,700	4,520
ECH35IH	324149	5,580	5,360	5,140
ECH40IH	324150	6,320	6,080	5,840
ECH50IH	324151	10,200	9,800	9,400

### BLACK ANODIZED

MODEL	ITEM #	1-2	3-6	7+
ECH25IH	324152	\$4,130	\$3,970	\$3,810
ECH30IH	324153	5,060	4,870	4,670
ECH35IH	324154	5,810	5,590	5,360
ECH40IH	324155	6,600	6,330	6,070
ECH50IH	324156	10,580	10,160	9,750



# OUTDOOR FLAGPOLES

## ECONOMY EXTRA SERIES

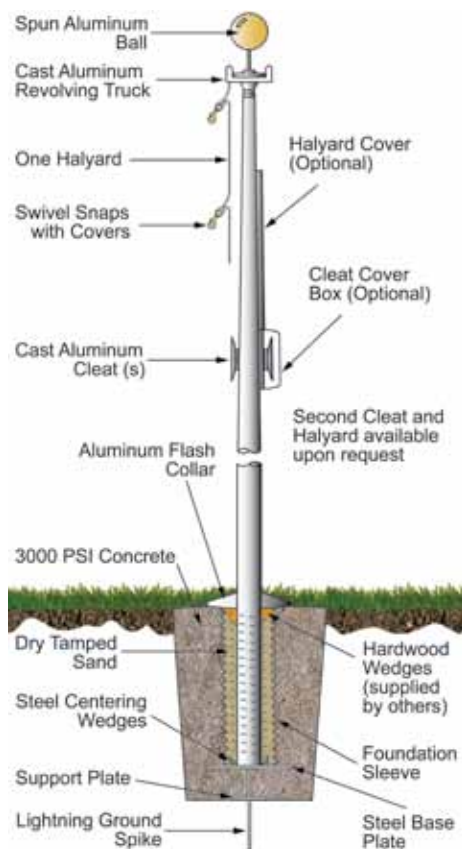
External Halyard Ground Set Cone Tapered Aluminum Flagpoles

### STANDARD ACCESSORIES

- Gold anodized aluminum ball ornament
- Cast aluminum revolving truck w/pulley
- Solid braided polypropylene halyard
- Swivel flag snaps w/vinyl snap covers
- Cast aluminum cleat with mounting screws
- Spun aluminum flash collar
- Galvanized steel foundation sleeve

MODEL	EXPOSED HEIGHT	OVERALL LENGTH	BUTT DIA.	TOP DIA.	WALL	MAX. UNFLAGGED WIND SPEED	MAX. FLAGGED WIND SPEED	MAX. SUGGESTED FLAG SIZE	SHIPPING WEIGHT
ECX20	20'	23'	5"	3"	.125	255 MPH	120+ MPH	5' x 8'	119 lbs
ECX25	25'	27'	5"	3"	.125	137 MPH	105 MPH	5' x 8'	129 lbs.
ECX30	30'	33'	5"	3"	.125	104 MPH	85 MPH	5' x 8'	154 lbs.
ECX35	35'	38 1/2'	6"	3 1/2"	.156	119 MPH	91 MPH	6' x 10'	237 lbs.
ECX40	40'	44'	7"	3 1/2"	.156	122 MPH	91 MPH	8' x 12'	272 lbs.
ECX50	50'	55'	8"	3 1/2"	.188	118 MPH	90 MPH	10' x 15'	433 lbs
ECX60	60'	66'	10"	4"	.188	122 MPH	90 MPH	12' x 18'	665 lbs.
ECX70	70'	77'	10"	4"	.312	127 MPH	91 MPH	15' x 25'	1032 lbs.

**All flagpole models marked with an asterisk ( \* ) are now available in both one and two section styles; please specify when placing your order. If not specified, one section pole(s) will be shipped. Add 10% to the pricing below for two section style flagpoles.**



### SATIN

MODEL	ITEM #	1-2	3-6	7+
ECX20	320193	\$1,050	\$1,000	\$940
ECX25	320194	1,110	1,050	990
ECX30*	320195	1,240	1,190	1,110
ECX35*	320196	1,910	1,810	1,690
ECX40	320197	2,790	2,650	2,510
ECX50	320198	3,970	3,760	3,560
ECX60	320199	5,740	5,550	5,160
ECX70	320200	9,210	8,750	8,280

### CLEAR ANODIZED

MODEL	ITEM #	1-2	3-6	7+
ECX20	320201	\$1,290	\$1,220	\$1,160
ECX25	320202	1,380	1,320	1,220
ECX30*	320203	1,540	1,480	1,430
ECX35*	320204	2,320	2,190	2,080
ECX40	320205	3,290	3,140	2,960
ECX50	320206	4,700	4,470	4,230
ECX60	320207	6,780	6,450	6,110
ECX70	320208	10,540	10,020	9,480

**Read Carefully**

### BRONZE ANODIZED

MODEL	ITEM #	1-2	3-6	7+
ECX20	320209	\$1,330	\$1,250	\$1,190
ECX25	320210	1,410	1,350	1,260
ECX30*	320211	1,560	1,500	1,410
ECX35*	320212	2,380	2,250	2,120
ECX40	320213	3,410	3,240	3,060
ECX50	320214	4,850	4,590	4,360
ECX60	320215	7,000	6,650	6,280
ECX70	320216	10,780	10,240	9,700

### BLACK ANODIZED

MODEL	ITEM #	1-2	3-6	7+
ECX20	320217	\$1,390	\$1,320	\$1,230
ECX25	320218	1,500	1,420	1,330
ECX30*	320219	1,680	1,610	1,510
ECX35*	320220	2,520	2,400	2,250
ECX40	320221	3,570	3,390	3,180
ECX50	320222	5,070	4,820	4,560
ECX60	320223	7,340	6,980	6,600
ECX70	320224	11,190	10,640	10,070

**Add \$30.00 to any of the flagpole pricing above for double cleat-double halyard flagpoles.**

All poles on pages 139 through 161 can be mixed to achieve the higher quantity pricing, but shipment must be made to the same location at the same time.

# OUTDOOR FLAGPOLES

## SPECIAL BUDGET SERIES

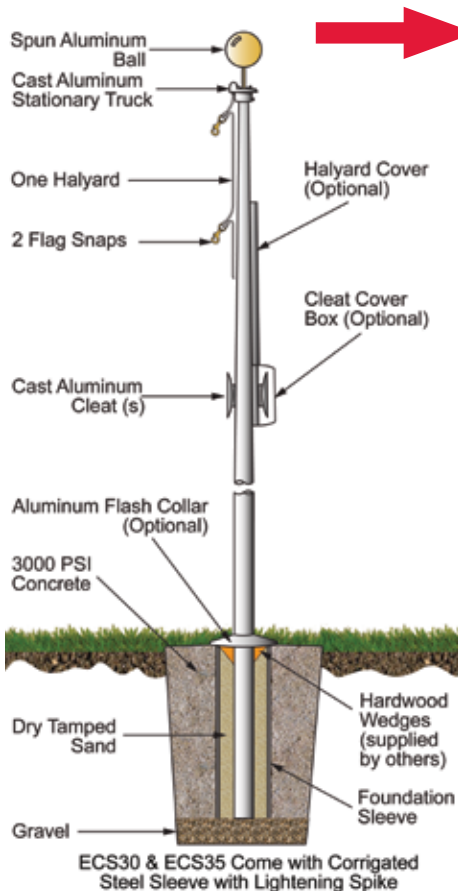
External Halyard Ground Set Cone Tapered Aluminum Flagpoles

### STANDARD ACCESSORIES

- Gold anodized aluminum ball ornament
- Cast aluminum stationary truck w/pulley (ECS35 has a revolving truck as standard)
- Solid braided polypropylene halyard
- Cast aluminum cleat with mounting screws
- Swivel flag snaps w/vinyl covers on poles with a 3 1/2", 4" or 5" butt diameter; nylon flag snaps on poles with a 2 3/8" or 3" butt diameter
- PVC foundation sleeve (ECS30 & ECS35 poles have a galvanized steel sleeve as standard)
- Flash collar not included as standard equipment for this series

MODEL	EXPOSED HEIGHT	OVERALL LENGTH	BUTT DIA.	TOP DIA.	WALL	MAX. UNFLAGGED WIND SPEED	MAX. FLAGGED WIND SPEED	MAX. SUGGESTED FLAG SIZE	SHIPPING WEIGHT
ECM15	15'	17'	2 3/8"	1 7/8"	.140	145 MPH	101 MPH	3' x 5'	44 lbs
ECM20	20'	22'	2 3/8"	1 7/8"	.140	101 MPH	76 MPH	3' x 5'	52 lbs.
ECSS15	15'	17'	3"	1 7/8"	.125	170 MPH	120 MPH	3' x 5'	45 lbs.
ECSS20	20'	22'	3"	1 7/8"	.125	118 MPH	85 MPH	5' x 8'	54 lbs.
ECSS25	25'	27'	3"	1 7/8"	.125	89 MPH	50 MPH	5' x 8'	64 lbs.
ECS20	20'	22'	3 1/2"	2 3/8"	.125	128 MPH	96 MPH	5' x 8'	61 lbs
ECS25	25'	27'	3 1/2"	2 3/8"	.125	95 MPH	77 MPH	5' x 8'	73 lbs.
ECS30	30'	33'	4"	2 3/8"	.125	88 MPH	50 MPH	6' x 10'	125 lbs.
ECS35*	35'	38 1/2'	5"	3"	.156	92 MPH	76 MPH	6' x 10'	193 lbs.

\*Increased wall thickness for greater strength.



All flagpole models marked with an asterisk ( \* ) are now available in both one and two section styles; please specify when placing your order. If not specified, one section pole(s) will be shipped. **Add 10% to the pricing below for two section style flagpoles.**

SATIN					
MODEL	ITEM #	1-2	3-6	7+	
ECM15	320257	\$510	\$470	\$450	
ECM20	320258	530	510	470	
ECSS15	320259	380	360	330	
ECSS20	320260	450	430	410	
ECSS25	320261	540	510	470	
ECS20	320262	640	600	560	
ECS25	320263	730	700	660	
ECS30*	320264	810	780	710	
ECS35*	320265	1,250	1,200	1,120	

CLEAR ANODIZED					
MODEL	ITEM #	1-2	3-6	7+	
ECM15	320266	\$630	\$590	\$550	
ECM20	320267	670	650	610	
ECSS15	320268	500	460	440	
ECSS20	320269	580	550	520	
ECSS25	320270	700	660	630	
ECS20	320271	820	790	720	
ECS25	320272	950	910	840	
ECS30*	320273	1,050	1,000	940	
ECS35*	320274	1,570	1,510	1,420	

Read Carefully

BRONZE ANODIZED					
MODEL	ITEM #	1-2	3-6	7+	
ECM15	320275	\$650	\$610	\$560	
ECM20	320276	710	670	640	
ECSS15	320277	520	500	460	
ECSS20	320278	610	580	540	
ECSS25	320279	730	700	670	
ECS20	320280	860	820	770	
ECS25	320281	970	930	870	
ECS30*	320282	1,110	1,040	990	
ECS35*	320283	1,660	1,560	1,490	

BLACK ANODIZED					
MODEL	ITEM #	1-2	3-6	7+	
ECM15	320284	\$670	\$650	\$610	
ECM20	320285	730	700	660	
ECSS15	320286	540	520	490	
ECSS20	320287	660	630	580	
ECSS25	320288	790	740	700	
ECS20	320289	880	830	800	
ECS25	320290	990	950	890	
ECS30*	320291	1,180	1,120	1,050	
ECS35*	320292	1,750	1,670	1,570	

### THREE SECTION ESSS20 (CAN BE SHIPPED UPS)

MODEL	ITEM #	FINISH	1-2	3-6	7+
SS20TS	320329	SATIN	\$530	\$500	\$470
SS20TS	320330	CLEAR	610	590	560
SS20TS	320331	BRONZE	640	620	590
SS20TS	320332	BLACK	690	660	620

Weight = 43 lbs. each

### FOUR SECTION ESSS25 (CAN BE SHIPPED UPS)

MODEL	ITEM #	FINISH	1-2	3-6	7+
SS25FS	323976	SATIN	\$620	\$590	\$560
SS25FS	323977	CLEAR	770	720	670
SS25FS	323978	BRONZE	790	740	690
SS25FS	323979	BLACK	840	790	740

Weight = 52 lbs. each

Add \$30.00 to any of the flagpole pricing above for double cleat-double halyard flagpoles. Add \$24.00 for flash collar.

All poles on pages 139 through 161 can be mixed to achieve the higher quantity pricing, but shipment must be made to the same location at the same time.

# OUTDOOR FLAGPOLES

## ATLAS SERIES

External Halyard Ground Set Cone Tapered Aluminum Flagpoles

### STANDARD ACCESSORIES

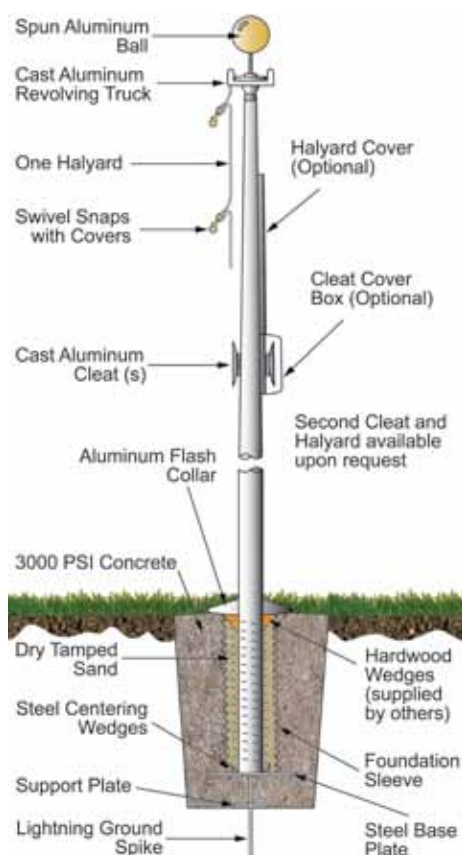
- Gold anodized aluminum ball ornament
- Cast aluminum revolving truck with pulley (ECSA20 & ECSA25 poles have a stationary truck as standard)
- Solid braided polypropylene halyard
- Swivel flag snaps w/vinyl snap covers
- Cast aluminum cleat with mounting screws
- Spun aluminum flash collar
- Galvanized steel foundation sleeve

MODEL	EXPOSED HEIGHT	OVERALL LENGTH	BUTT DIA.	TOP DIA.	WALL	MAX. UNFLAGGED WIND SPEED	MAX. FLAGGED WIND SPEED	MAX. SUGGESTED FLAG SIZE	SHIPPING WEIGHT
ECSA20	20'	22'	4"	2 <sup>3</sup> / <sub>8</sub> "	.125	152 MPH	110 MPH	5' x 8'	92 lbs
ECSA25	25'	27'	4"	2 <sup>3</sup> / <sub>8</sub> "	.125	113 MPH	88 MPH	5' x 8'	112 lbs.
ECXA25	25'	27'	5"	3"	.156	183 MPH	120 MPH	5' x 8'	134 lbs.
ECXA30	30'	33'	5"	3"	.156	119 MPH	95 MPH	6' x 10'	162 lbs.
ECA30	30'	33'	6"	3 <sup>1</sup> / <sub>2</sub> "	.156	184 MPH	115 MPH	6' x 10'	214 lbs.
ECSA35 <sup>+</sup>	35'	38 <sup>1</sup> / <sub>2</sub> '	5"	3"	.188	104 MPH	86 MPH	6' x 10'	219 lbs.
ECA35	35'	38 <sup>1</sup> / <sub>2</sub> '	7"	3 <sup>1</sup> / <sub>2</sub> "	.156	175 MPH	114 MPH	6' x 10'	251 lbs
ECA40	40'	44'	8"	3 <sup>1</sup> / <sub>2</sub> "	.156	171 MPH	110 MPH	8' x 12'	298 lbs.
ECXA60	60'	66'	10"	4"	.250	150 MPH	106 MPH	12' x 18'	754 lbs.

\*Increased wall thickness for greater strength.



All flagpole models marked with an asterisk (\*) are now available in both one and two section styles; please specify when placing your order. If not specified, one section pole(s) will be shipped. **Add 10% to the pricing below for two section style flagpoles.**



Note: the ECSA20 and ECSA25 flagpoles are not supplied with a plate support or centering wedges.

### SATIN

MODEL	ITEM #	1-2	3-6	7+
ECSA20	320337	\$720	\$690	\$650
ECSA25	320338	780	720	680
ECXA25	320339	1,340	1,250	1,190
ECXA30*	320340	1,490	1,410	1,340
ECA30*	320341	1,830	1,750	1,650
ECSA35	320342	1,670	1,590	1,490
ECA35*	320343	2,180	2,070	1,960
ECA40	320344	3,110	2,970	2,780
ECXA60	320345	7,320	6,980	6,590

### CLEAR ANODIZED

MODEL	ITEM #	1-2	3-6	7+
ECSA20	320346	\$930	\$880	\$820
ECSA25	320347	980	940	890
ECXA25	320348	1,570	1,510	1,420
ECXA30*	320349	1,760	1,680	1,570
ECA30*	320350	2,190	2,090	1,970
ECSA35	320351	2,030	1,930	1,820
ECA35*	320352	2,650	2,510	2,380
ECA40	320353	3,700	3,510	3,330
ECXA60	320354	8,450	8,040	7,610

Read Carefully

### BRONZE ANODIZED

MODEL	ITEM #	1-2	3-6	7+
ECSA20	320355	\$960	\$920	\$860
ECSA25	320356	1,020	970	920
ECXA25	320357	1,660	1,560	1,490
ECXA30*	320358	1,840	1,750	1,660
ECA30*	320359	2,250	2,150	2,040
ECSA35	320360	2,070	1,960	1,870
ECA35*	320361	2,710	2,580	2,450
ECA40	320362	3,810	3,620	3,460
ECXA60	320363	8,630	8,190	7,790

### BLACK ANODIZED

MODEL	ITEM #	1-2	3-6	7+
ECSA20	320364	\$1,000	\$960	\$910
ECSA25	320365	1,090	1,040	980
ECXA25	320366	1,690	1,610	1,520
ECXA30*	320367	1,900	1,800	1,690
ECA30*	320368	2,360	2,240	2,110
ECSA35	320369	2,180	2,070	1,960
ECA35*	320370	2,870	2,720	2,580
ECA40	320371	3,990	3,780	3,570
ECXA60	320372	9,010	8,550	8,090

Add \$30.00 to any of the flagpole pricing above for double cleat-double halyard flagpoles.

All poles on pages 139 through 161 can be mixed to achieve the higher quantity pricing, but shipment must be made to the same location at the same time.



# OUTDOOR FLAGPOLES

## VANGUARD SERIES

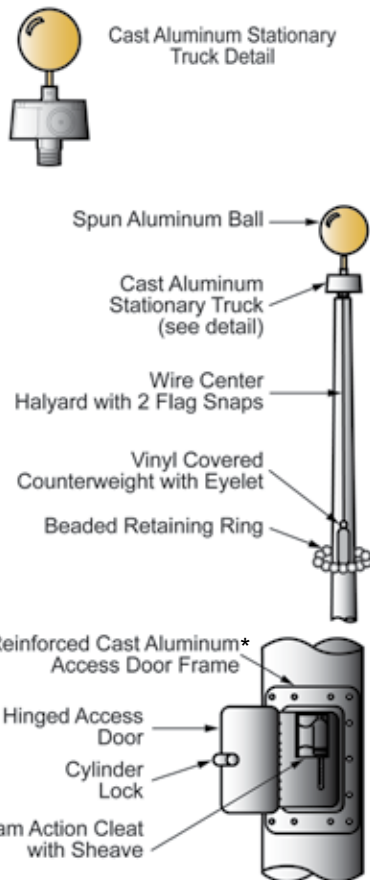
Internal Halyard Ground Set Cone Tapered Aluminum Flagpoles

The Vanguard series of flagpoles combine the security of a concealed halyard system with the simplicity of a rope halyard. While lacking the convenience and sophistication of a winch operated system, the Vanguard provides an intelligent, economical alternative to deluxe concealed halyard systems. The Vanguard's wire center halyard runs through a stationary truck and is secured in a cam action cleat located inside the flagpole behind a lockable access door. All fittings for a complete installation are included: gold anodized aluminum ball ornament, swivel flag snaps with vinyl covers, retaining ring, counterweight, a stainless steel quick link to make all necessary connections, spun aluminum flash collar and galvanized steel foundation sleeve.

MODEL	EXPOSED HEIGHT	OVERALL LENGTH	BUTT DIA.	TOP DIA.	WALL	MAX. UNFLAGGED WIND SPEED	MAX. FLAGGED WIND SPEED	MAX. SUGGESTED FLAG SIZE	SHIPPING WEIGHT
ECXV20	20'	23'	5"	3"	.125	250 MPH	120+ MPH	5' x 8'	129 lbs
ECV20	20'	23'	5"	3"	.188	315 MPH	120+ MPH	5' x 8'	132 lbs.
ECXV25	25'	27'	5"	3"	.125	144 MPH	104 MPH	5' x 8'	139 lbs.
ECXAV25	25'	27'	5"	3"	.156	192 MPH	117 MPH	5' x 8'	144 lbs.
ECV25	25'	27'	6"	3 1/2"	.188	222 MPH	120+ MPH	5' x 8'	191 lbs.
ECXV30	30'	33'	5"	3"	.125	110 MPH	75 MPH	5' x 8'	164 lbs.
ECXAV30	30'	33'	5"	3"	.156	119 MPH	91 MPH	5' x 8'	172 lbs
ECAV30	30'	33'	6"	3 1/2"	.156	191 MPH	117 MPH	5' x 8'	224 lbs.
ECV30	30'	33'	6"	3 1/2"	.188	221 MPH	120+ MPH	5' x 8'	227 lbs.
ECSAV35*	35'	38 1/2'	5"	3"	.188	104 MPH	86 MPH	6' x 10'	229 lbs.
ECXV35	35'	38 1/2'	6"	3 1/2"	.156	122 MPH	91 MPH	6' x 10'	247 lbs.
ECAV35	35'	38 1/2'	7"	3 1/2"	.156	179 MPH	117 MPH	6' x 10'	261 lbs.
ECV35	35'	38 1/2'	7"	3 1/2"	.188	200 MPH	120 MPH	6' x 10'	281 lbs.
ECXV40	40'	44'	7"	3 1/2"	.156	125 MPH	91 MPH	8' x 12'	282 lbs.
ECAV40	40'	44'	8"	3 1/2"	.156	171 MPH	110 MPH	8' x 12'	308 lbs.
ECV40	40'	44'	8"	3 1/2"	.188	195 MPH	120 MPH	8' x 12'	319 lbs.

\*Increased wall thickness for greater strength.

→ All flagpole models marked with an asterisk (\*) are now available in both one and two section styles; please specify when placing your order. If not specified, one section pole(s) will be shipped. Add 10% to the pricing below for two section style flagpoles.



\*5" diameter poles are supplied with a hinged access door and frame unit. Other sizes are supplied with a removable access door (not hinged) which is attached to a frame plate that is welded to the inside of the pole providing a smooth exterior finish.

**Add \$100.00 for a revolving truck on any Vanguard Flagpole.**

### SATIN

MODEL	ITEM #	1-2	3-6	7+
ECXV20	320409	\$1,330	\$1,240	\$1,190
ECV20	320410	1,540	1,470	1,380
ECXV25	320411	1,480	1,400	1,330
ECXAV25	320412	1,670	1,590	1,490
ECV25	320413	2,180	2,070	1,960
ECXV30*	320414	1,610	1,540	1,460
ECXAV30*	320415	1,820	1,740	1,640
ECAV30	320416	2,110	2,010	1,900
ECV30	320417	2,240	2,140	2,020
ECSAV35	320418	2,070	1,960	1,850
ECXV35	320419	2,240	2,140	2,020
ECAV35	320420	2,530	2,400	2,280
ECV35	320421	2,890	2,740	2,600
ECXV40	320422	3,110	2,970	2,790
ECAV40	320423	3,560	3,390	3,190
ECV40	320424	3,830	3,630	3,440

### BRONZE ANODIZED

MODEL	ITEM #	1-2	3-6	7+
ECXV20	320441	\$1,610	\$1,530	\$1,440
ECV20	320442	1,840	1,750	1,650
ECXV25	320443	1,800	1,700	1,620
ECXAV25	320444	2,010	1,910	1,800
ECV25	320445	2,480	2,360	2,220
ECXV30*	320446	1,970	1,890	1,770
ECXAV30*	320447	2,190	2,090	1,980
ECAV30	320448	2,530	2,400	2,280
ECV30	320449	2,690	2,540	2,420
ECSAV35	320450	2,490	2,370	2,230
ECXV35	320451	2,740	2,600	2,460
ECAV35	320452	3,110	2,940	2,780
ECV35	320453	3,470	3,290	3,130
ECXV40	320454	3,750	3,570	3,370
ECAV40	320455	4,280	4,060	3,850
ECV40	320456	4,560	4,340	4,100

### CLEAR ANODIZED

MODEL	ITEM #	1-2	3-6	7+
ECXV20	320425	\$1,550	\$1,490	\$1,410
ECV20	320426	1,810	1,710	1,630
ECXV25	320427	1,740	1,660	1,560
ECXAV25	320428	1,950	1,870	1,750
ECV25	320429	2,450	2,320	2,190
ECXV30*	320430	1,920	1,820	1,710
ECXAV30*	320431	2,140	2,020	1,920
ECAV30	320432	2,510	2,380	2,240
ECV30	320433	2,640	2,500	2,370
ECSAV35	320434	2,450	2,320	2,190
ECXV35	320435	2,690	2,540	2,420
ECAV35	320436	3,000	2,870	2,690
ECV35	320437	3,360	3,190	3,020
ECXV40	320438	3,650	3,480	3,280
ECAV40	320439	4,150	3,970	3,750
ECV40	320440	4,470	4,230	4,020

### BLACK ANODIZED

MODEL	ITEM #	1-2	3-6	7+
ECXV20	320457	\$1,660	\$1,560	\$1,460
ECV20	320458	1,900	1,790	1,680
ECXV25	320459	1,890	1,770	1,670
ECXAV25	320460	2,090	1,970	1,880
ECV25	320461	2,580	2,450	2,310
ECXV30*	320462	2,060	1,960	1,870
ECXAV30*	320463	2,280	2,170	2,050
ECAV30	320464	2,660	2,520	2,400
ECV30	320465	2,790	2,670	2,530
ECSAV35	320466	2,600	2,470	2,340
ECXV35	320467	2,890	2,730	2,590
ECAV35	320468	3,240	3,070	2,920
ECV35	320469	3,610	3,440	3,240
ECXV40	320470	3,910	3,710	3,510
ECAV40	320471	4,470	4,230	4,020
ECV40	320472	4,730	4,500	4,260

Read Carefully

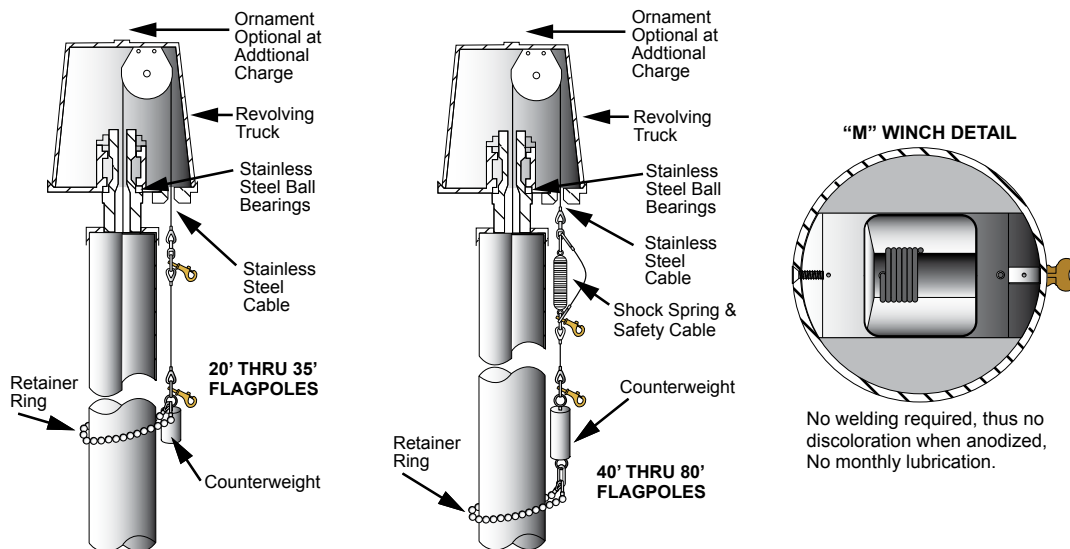
All poles on pages 139 through 161 can be mixed to achieve the higher quantity pricing, but shipment must be made to the same location at the same time.

# OUTDOOR FLAGPOLES

## DELUXE IH SERIES

Internal Halyard Ground Set Cone Tapered Aluminum Flagpoles

These deluxe internal halyard flagpoles contain a winch mounted inside the flagpole shaft, operable only with a removable crank handle. As the stainless steel cable unwinds from the winch, it passes up through the inside of the flagpole shaft, over the truck sheave to the outside of the shaft, where the retaining ring provides a sliding anchor. A counterweight, heavily coated with neoprene, attached to the retaining ring, allows the halyard to be lowered for fastening or removing the flag. The halyard is then raised completely out of reach of vandals. The improved winch is gearless and self-locking at any point, eliminating the need for a separate brake. This direct drive winch provides rapid raising and lowering of the flag with little effort. This new, improved design does not require any welding, thus avoiding discoloration when an anodized finish is desired. No monthly lubrication is needed and this winch system is easily adaptable to existing on-site flagpoles.



No welding required, thus no discoloration when anodized, No monthly lubrication.

MODEL	EXPOSED HEIGHT	OVERALL LENGTH	BUTT DIA.	TOP DIA.	WALL	MAX. UNFLAGGED WIND SPEED	MAX. FLAGGED WIND SPEED	MAX. SUGGESTED FLAG SIZE	SHIPPING WEIGHT
ECX20IH	20'	23'	5"	3"	.125	250 MPH	120+ MPH	5' x 8**	129 lbs.
EC20IH	20'	23'	5"	3"	.188	315 MPH	120+ MPH	5' x 8**	132 lbs.
ECX25IH	25'	27'	5"	3"	.125	144 MPH	104 MPH	5' x 8***	139 lbs.
ECXA25IH	25'	27'	5"	3"	.156	192 MPH	117 MPH	5' x 8***	144 lbs.
EC25IH	25'	27'	6"	3 1/2"	.188	222 MPH	120+ MPH	5' x 8***	191 lbs.
ECX30IH	30'	33'	5"	3"	.125	110 MPH	75 MPH	5' x 8'	164 lbs.
ECXA30IH	30'	33'	5"	3"	.156	119 MPH	91 MPH	5' x 8'	172 lbs.
ECA30IH	30'	33'	6"	3 1/2"	.156	191 MPH	117 MPH	5' x 8'	224 lbs.
EC30IH	30'	33'	6"	3 1/2"	.188	221 MPH	120+ MPH	5' x 8'	227 lbs.
ECSA35IH <sup>+</sup>	35'	38 1/2'	5"	3"	.188	104 MPH	86 MPH	6' x 10'	229 lbs.
ECX35IH	35'	38 1/2'	6"	3 1/2"	.156	122 MPH	91 MPH	6' x 10'	247 lbs.
ECA35IH	35'	38 1/2'	7"	3 1/2"	.156	179 MPH	117 MPH	6' x 10'	261 lbs.
EC35IH	35'	38 1/2'	7"	3 1/2"	.188	200 MPH	120 MPH	6' x 10'	281 lbs.
ECX40IH	40'	44'	7"	3 1/2"	.156	125 MPH	91 MPH	8' x 12'	282 lbs.
ECA40IH	40'	44'	8"	3 1/2"	.156	171 MPH	110 MPH	8' x 12'	308 lbs.
EC40IH	40'	44'	8"	3 1/2"	.188	203 MPH	120 MPH	8' x 12'	319 lbs.
EC45IH	45'	49'	8"	3 1/2"	.188	166 MPH	100 MPH	8' x 12'	371 lbs.
ECX50IH	50'	55'	8"	3 1/2"	.188	118 MPH	90 MPH	10' x 15'	443 lbs.
EC50IH	50'	55'	10"	4"	.188	185 MPH	115 MPH	10' x 15'	523 lbs.
ECX60IH	60'	66'	10"	4"	.188	122 MPH	90 MPH	12' x 18'	675 lbs.
ECXA60IH	60'	66'	10"	4"	.250	150 MPH	106 MPH	12' x 18'	764 lbs.
EC60IH	60'	66'	12"	4"	.250	213 MPH	120 MPH	12' x 18'	843 lbs.
ECX70IH	70'	77'	10"	4"	.312	127 MPH	91 MPH	15' x 25'	1042 lbs.
EC70IH	70'	77'	12"	4"	.250	169 MPH	105 MPH	15' x 25'	988 lbs.
EC80IH	80'	88'	12"	4"	.375	174 MPH	105 MPH	20' x 30'	1367 lbs.

<sup>+</sup>Increased wall thickness for greater strength.

<sup>\*</sup>Supplied with 3' x 5' flag arrangement as standard.

<sup>\*\*</sup>Supplied with 4' x 6' flag arrangement as standard.

# OUTDOOR FLAGPOLES

## DELUXE IH SERIES

Internal Halyard Ground Set Cone Tapered Aluminum Flagpoles

All flagpole models marked with an asterisk ( \* ) are now available in both one and two section styles; please specify when placing your order. If not specified, one section pole(s) will be shipped. Add 10% to the pricing below for two section style flagpoles.

### SATIN

MODEL	ITEM #	1-2	3-6	7+
ECX20IH	320473	\$1,710	\$1,630	\$1,540
EC20IH	320474	1,950	1,870	1,760
ECX25IH	320475	1,890	1,790	1,680
ECXA25IH	320476	2,080	1,970	1,870
EC25IH	320477	2,920	2,770	2,630
ECX30IH*	320478	2,020	1,920	1,820
ECXA30IH*	320479	2,220	2,120	2,010
ECA30IH*	320480	3,400	3,220	3,050
EC30IH*	320481	3,490	3,320	3,140
ECSA35IH	320482	2,470	2,350	2,210
ECX35IH*	320483	3,470	3,290	3,120
ECA35IH*	320484	3,660	3,480	3,280
EC35IH*	320485	4,090	3,890	3,670
ECX40IH	320486	4,280	4,060	3,850
ECA40IH	320487	4,830	4,580	4,340
EC40IH	320488	4,980	4,730	4,480
EC45IH	320489	5,210	4,950	4,680
ECX50IH	320490	5,450	5,170	4,900
EC50IH	320491	6,570	6,220	5,910
ECX60IH	320492	7,690	7,300	6,910
ECXA60IH	320493	9,490	9,020	8,540
EC60IH	320494	11,700	11,120	10,520
ECX70IH	320495	10,700	10,160	9,620
EC70IH	320496	12,830	12,150	11,460
EC80IH	320497	16,580	15,560	14,760

### CLEAR ANODIZED

MODEL	ITEM #	1-2	3-6	7+
ECX20IH	320498	\$1,980	\$1,900	\$1,770
EC20IH	320499	2,210	2,110	1,990
ECX25IH	320500	2,160	2,060	1,950
ECXA25IH	320501	2,370	2,250	2,120
EC25IH	320502	3,280	3,130	2,970
ECX30IH*	320503	2,350	2,210	2,100
ECXA30IH*	320504	2,560	2,450	2,300
ECA30IH*	320505	3,840	3,630	3,440
EC30IH*	320506	3,940	3,730	3,530
ECSA35IH	320507	2,880	2,720	2,580
ECX35IH*	320508	3,940	3,730	3,540
ECA35IH*	320509	4,190	4,000	3,770
EC35IH*	320510	4,650	4,420	4,170
ECX40IH	320511	4,880	4,630	4,390
ECA40IH	320512	5,500	5,230	4,950
EC40IH	320513	5,650	5,380	5,080
EC45IH	320514	5,970	5,680	5,380
ECX50IH	320515	6,290	6,010	5,690
EC50IH	320516	7,580	7,210	6,830
ECX60IH	320517	8,820	8,380	7,930
ECXA60IH	320518	10,720	10,190	9,630
EC60IH	320519	13,190	12,540	11,850
ECX70IH	320520	12,120	11,510	10,900
EC70IH	320521	14,590	13,850	13,130
EC80IH	320522	18,580	17,650	16,720

Read Carefully

### BRONZE ANODIZED

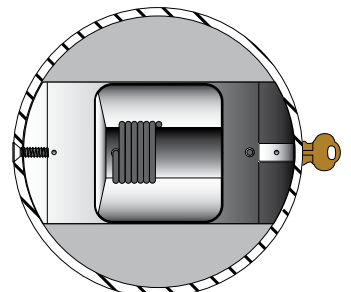
MODEL	ITEM #	1-2	3-6	7+
ECX20IH	320523	\$2,010	\$1,920	\$1,800
EC20IH	320524	2,240	2,140	2,020
ECX25IH	320525	2,210	2,110	1,990
ECXA25IH	320526	2,430	2,310	2,180
EC25IH	320527	3,340	3,160	3,000
ECX30IH*	320528	2,400	2,280	2,150
ECXA30IH*	320529	2,640	2,500	2,370
ECA30IH*	320530	3,890	3,690	3,480
EC30IH*	320531	3,980	3,770	3,590
ECSA35IH	320532	2,920	2,760	2,630
ECX35IH*	320533	4,020	3,830	3,610
ECA35IH*	320534	4,290	4,090	3,860
EC35IH*	320535	4,730	4,510	4,240
ECX40IH	320536	4,970	4,720	4,480
ECA40IH	320537	5,620	5,330	5,050
EC40IH	320538	5,750	5,480	5,180
EC45IH	320539	6,110	5,790	5,500
ECX50IH	320540	6,440	6,130	5,800
EC50IH	320541	7,760	7,360	6,980
ECX60IH	320542	9,110	8,650	8,180
ECXA60IH	320543	11,020	10,470	9,910
EC60IH	320544	13,550	12,860	12,190
ECX70IH	320545	12,470	11,860	11,220
EC70IH	320546	15,010	14,270	13,520
EC80IH	320547	19,070	18,130	17,050

### BLACK ANODIZED

MODEL	ITEM #	1-2	3-6	7+
ECX20IH	320548	\$2,090	\$1,980	\$1,880
EC20IH	320549	2,320	2,190	2,080
ECX25IH	320550	2,300	2,170	2,060
ECXA25IH	320551	2,490	2,370	2,230
EC25IH	320552	3,400	3,220	3,040
ECX30IH*	320553	2,490	2,370	2,230
ECXA30IH*	320554	2,710	2,580	2,440
ECA30IH*	320555	4,010	3,810	3,600
EC30IH*	320556	4,100	3,900	3,680
ECSA35IH	320557	3,030	2,890	2,710
ECX35IH*	320558	4,150	3,950	3,730
ECA35IH*	320559	4,420	4,190	3,970
EC35IH*	320560	4,870	4,630	4,380
ECX40IH	320561	5,140	4,880	4,620
ECA40IH	320562	5,790	5,500	5,190
EC40IH	320563	5,940	5,640	5,330
EC45IH	320564	6,280	5,990	5,680
ECX50IH	320565	6,650	6,320	5,980
EC50IH	320566	8,060	7,640	7,240
ECX60IH	320567	9,350	8,870	8,430
ECXA60IH	320568	11,250	10,700	10,130
EC60IH	320569	13,830	13,110	12,390
ECX70IH	320570	12,720	12,090	11,430
EC70IH	320571	15,260	14,550	13,830
EC80IH	320572	19,310	18,360	17,390



"M" WINCH DETAIL



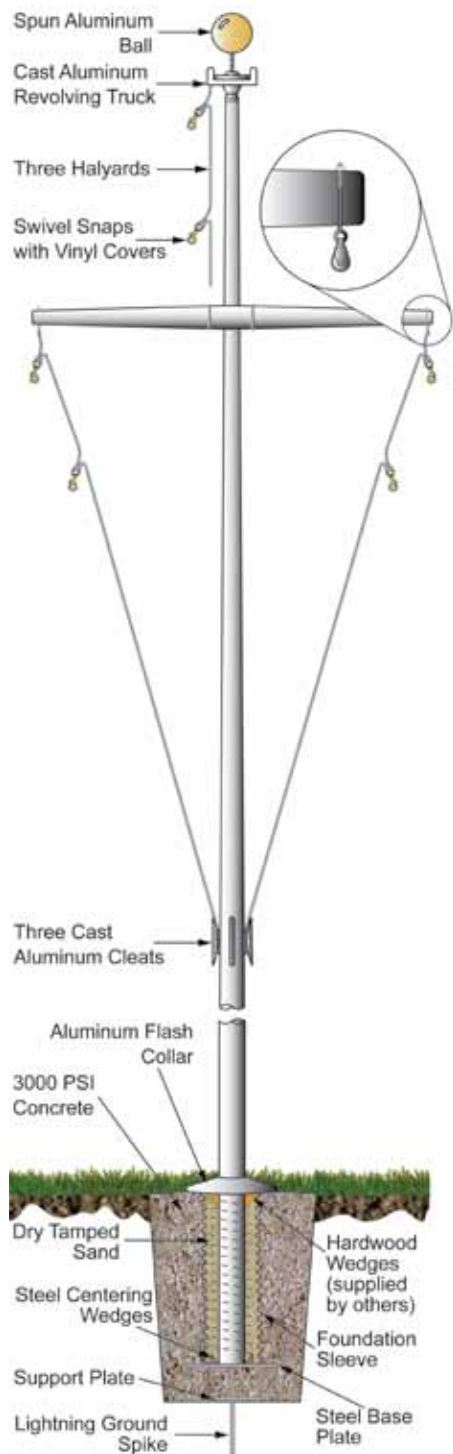
No welding required, thus no discoloration when anodized. No monthly lubrication.

All poles on pages 139 through 161 can be mixed to achieve the higher quantity pricing, but shipment must be made to the same location at the same time.

# OUTDOOR FLAGPOLES

## SINGLE MAST NAUTICAL SERIES WITH YARDARM

External Halyard Ground Set Cone Tapered Aluminum Flagpoles



### STANDARD ACCESSORIES

- Gold anodized aluminum ball ornament
- Cast aluminum revolving truck w/pulley
- Aluminum yardarm with pulleys & mounting hardware
- 3 lengths of solid braided polypropylene halyard
- Swivel flag snaps w/vinyl snap covers
- 3 Cast aluminum cleats with mounting screws
- Spun aluminum flash collar
- Galvanized steel foundation sleeve

MODEL	EXPOSED HEIGHT	OVERALL LENGTH	BUTT DIA.	TOP DIA.	WALL	YARDARM DIMENSIONS			SHIPPING WEIGHT
						LENGTH	CENTER	ENDS	
ECXP20-Y	20'	23'	5"	3"	.125	6'	3 1/2"	2"	150 lbs.
ECP20-Y	20'	23'	5"	3"	.188	6'	3 1/2"	2"	153 lbs.
ECXP25-Y	25'	27'	5"	3"	.125	6 1/2'	3 1/2"	2"	162 lbs.
ECXAP25-Y	25'	27'	5"	3"	.156	6 1/2'	3 1/2"	2"	167 lbs.
ECP25-Y	25'	27'	6"	3 1/2"	.188	6 1/2'	3 1/2"	2"	214 lbs.
ECXP30-Y	30'	33'	5"	3"	.125	8 1/2'	3 1/2"	2"	194 lbs.
ECXAP30-Y	30'	33'	5"	3"	.156	8 1/2'	3 1/2"	2"	202 lbs.
ECAP30-Y	30'	33'	6"	3 1/2"	.156	8 1/2'	3 1/2"	2"	254 lbs.
ECP30-Y	30'	33'	6"	3 1/2"	.188	8 1/2'	3 1/2"	2"	257 lbs.
ECSAP35-Y <sup>+</sup>	35'	38 1/2'	5"	3"	.188	9 1/2'	3 1/2"	2"	262 lbs.
ECXP35-Y	35'	38 1/2'	6"	3 1/2"	.156	9 1/2'	3 1/2"	2"	280 lbs.
ECAP35-Y	35'	38 1/2'	7"	3 1/2"	.156	9 1/2'	3 1/2"	2"	294 lbs.
ECP35-Y	35'	38 1/2'	7"	3 1/2"	.188	9 1/2'	3 1/2"	2"	314 lbs.
ECXP40-Y	40'	44'	7"	3 1/2"	.156	11'	3 1/2"	2"	324 lbs.
ECAP40-Y	40'	44'	8"	3 1/2"	.156	11'	3 1/2"	2"	350 lbs.
ECP40-Y	40'	44'	8"	3 1/2"	.188	11'	3 1/2"	2"	361 lbs.
ECP45-Y	45'	49'	8"	3 1/2"	.188	11'	3 1/2"	2"	413 lbs.
ECXP50-Y	50'	55'	8"	3 1/2"	.188	13'	3 1/2"	2"	492 lbs.
ECP50-Y	50'	55'	10"	4"	.188	13'	3 1/2"	2"	572 lbs.
ECXP60-Y	60'	66'	10"	4"	.188	14'	3 1/2"	2"	735 lbs.
ECXAP60-Y	60'	66'	10"	4"	.250	14'	3 1/2"	2"	824 lbs.
ECP60-Y	60'	66'	12"	4"	.250	14'	3 1/2"	2"	903 lbs.
ECXP70-Y	70'	77'	10"	4"	.321	16'	3 1/2"	2"	1107 lbs.
ECP70-Y	70'	77'	12"	4"	.250	16'	3 1/2"	2"	1053 lbs.
ECP80-Y	80'	88'	12"	4"	.375	18'	3 1/2"	2"	1442 lbs.

<sup>+</sup>Increased wall thickness for greater strength.

**NOTE: All poles priced on page 148 include the yardarm. See page 152 for pricing on yardarms only.**



# OUTDOOR FLAGPOLES

## SINGLE MAST NAUTICAL SERIES WITH YARDARM

External Halyard Ground Set Cone Tapered Aluminum Flagpoles

**All flagpole models marked with an asterisk ( \* ) are now available in both one and two section styles; please specify when placing your order. If not specified, one section pole(s) will be shipped. Add 10% to the pricing below for two section style flagpoles.**

### SATIN

MODEL	ITEM #	1-2	3-6	7+
ECXP20-Y	320573	\$1,760	\$1,670	\$1,570
ECP20-Y	320574	2,000	1,900	1,800
ECXP25-Y	320575	1,870	1,760	1,650
ECXAP25-Y	320576	2,090	1,970	1,860
ECP25-Y	320577	2,390	2,280	2,150
ECXP30-Y*	320578	2,060	1,970	1,830
ECXAP30-Y*	320579	2,310	2,180	2,050
ECAP30-Y*	320580	2,640	2,530	2,370
ECP30-Y*	320581	2,690	2,570	2,410
ECSAP35-Y	320582	2,500	2,390	2,220
ECXP35-Y*	320583	2,730	2,600	2,430
ECAP35-Y*	320584	3,010	2,870	2,690
ECP35-Y*	320585	3,350	3,180	3,000
ECXP40-Y	320586	3,700	3,520	3,330
ECAP40-Y	320587	4,020	3,840	3,600
ECP40-Y	320588	4,190	4,020	3,790
ECP45-Y	320589	4,600	4,380	4,140
ECXP50-Y	320590	4,980	4,730	4,460
ECP50-Y	320591	6,000	5,730	5,420
ECXP60-Y	320592	6,820	6,570	6,130
ECXAP60-Y	320593	8,400	8,000	7,560
ECP60-Y	320594	10,730	10,190	9,660
ECXP70-Y	320595	10,320	9,810	9,280
ECP70-Y	320596	11,990	11,390	10,780
ECP80-Y	320597	14,900	14,260	13,500

### CLEAR ANODIZED

MODEL	ITEM #	1-2	3-6	7+
ECXP20-Y	320598	\$2,150	\$2,040	\$1,940
ECP20-Y	320599	2,400	2,280	2,160
ECXP25-Y	320600	2,280	2,180	2,030
ECXAP25-Y	320601	2,480	2,380	2,220
ECP25-Y	320602	2,870	2,700	2,570
ECXP30-Y*	320603	2,540	2,420	2,320
ECXAP30-Y*	320604	2,760	2,620	2,460
ECAP30-Y*	320605	3,190	3,030	2,860
ECP30-Y*	320606	3,250	3,090	2,910
ECSAP35-Y	320607	3,060	2,900	2,720
ECXP35-Y*	320608	3,350	3,160	2,990
ECAP35-Y*	320609	3,680	3,480	3,280
ECP35-Y*	320610	4,030	3,840	3,600
ECXP40-Y	320611	4,430	4,220	3,970
ECAP40-Y	320612	4,830	4,590	4,340
ECP40-Y	320613	5,050	4,800	4,520
ECP45-Y	320614	5,480	5,200	4,910
ECXP50-Y	320615	5,990	5,690	5,390
ECP50-Y	320616	7,360	7,010	6,620
ECXP60-Y	320617	8,120	7,710	7,300
ECXAP60-Y	320618	9,780	9,300	8,800
ECP60-Y	320619	12,210	11,590	10,970
ECXP70-Y	320620	11,970	11,370	10,750
ECP70-Y	320621	13,700	13,020	12,310
ECP80-Y	320622	17,270	16,380	15,530

Read Carefully

### BRONZE ANODIZED

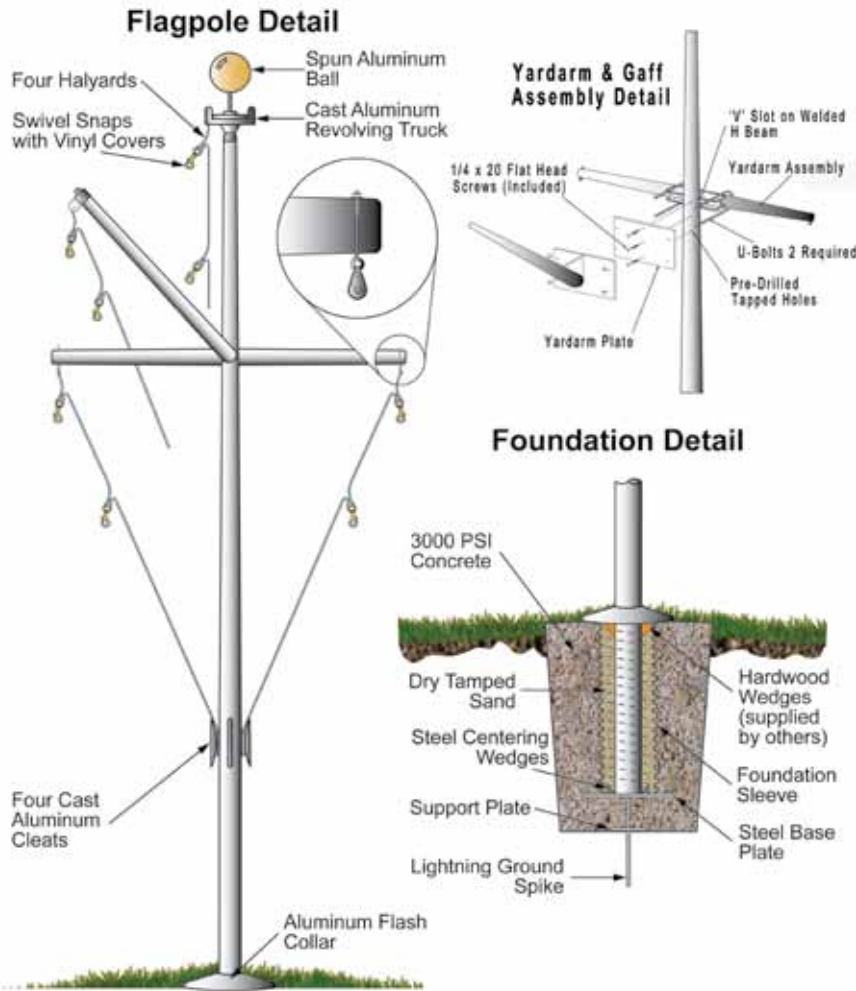
MODEL	ITEM #	1-2	3-6	7+
ECXP20-Y	320623	\$2,200	\$2,090	\$1,990
ECP20-Y	320624	2,440	2,340	2,200
ECXP25-Y	320625	2,350	2,240	2,110
ECXAP25-Y	320626	2,600	2,460	2,340
ECP25-Y	320627	2,930	2,810	2,630
ECXP30-Y*	320628	2,620	2,510	2,360
ECXAP30-Y*	320629	2,900	2,760	2,610
ECAP30-Y*	320630	3,320	3,160	2,990
ECP30-Y*	320631	3,380	3,200	3,030
ECSAP35-Y	320632	3,190	3,020	2,870
ECXP35-Y*	320633	3,500	3,320	3,120
ECAP35-Y*	320634	3,840	3,640	3,450
ECP35-Y*	320635	4,210	3,990	3,760
ECXP40-Y	320636	4,660	4,440	4,170
ECAP40-Y	320637	5,070	4,810	4,570
ECP40-Y	320638	5,280	5,020	4,730
ECP45-Y	320639	5,730	5,440	5,140
ECXP50-Y	320640	6,280	5,950	5,630
ECP50-Y	320641	7,700	7,320	6,910
ECXP60-Y	320642	8,510	8,100	7,650
ECXAP60-Y	320643	10,140	9,640	9,160
ECP60-Y	320644	12,630	12,010	11,360
ECXP70-Y	320645	12,430	11,810	11,180
ECP70-Y	320646	14,210	13,490	12,770
ECP80-Y	320647	17,810	16,910	15,970

### BLACK ANODIZED

MODEL	ITEM #	1-2	3-6	7+
ECXP20-Y	320648	\$2,320	\$2,200	\$2,070
ECP20-Y	320649	2,560	2,440	2,300
ECXP25-Y	320650	2,500	2,360	2,210
ECXAP25-Y	320651	2,690	2,550	2,410
ECP25-Y	320652	3,110	2,950	2,780
ECXP30-Y*	320653	2,810	2,670	2,510
ECXAP30-Y*	320654	3,020	2,860	2,690
ECAP30-Y*	320655	3,480	3,300	3,110
ECP30-Y*	320656	3,580	3,400	3,200
ECSAP35-Y	320657	3,350	3,180	3,000
ECXP35-Y*	320658	3,680	3,510	3,290
ECAP35-Y*	320659	4,030	3,840	3,620
ECP35-Y*	320660	4,410	4,180	3,940
ECXP40-Y	320661	4,860	4,640	4,370
ECAP40-Y	320662	5,300	5,040	4,750
ECP40-Y	320663	5,560	5,280	5,000
ECP45-Y	320664	6,030	5,740	5,430
ECXP50-Y	320665	6,590	6,280	5,940
ECP50-Y	320666	8,120	7,710	7,310
ECXP60-Y	320667	8,970	8,500	8,050
ECXAP60-Y	320668	10,630	10,070	9,540
ECP60-Y	320669	13,140	12,460	11,810
ECXP70-Y	320670	12,950	12,310	11,660
ECP70-Y	320671	14,810	14,060	13,330
ECP80-Y	320672	18,500	17,580	16,670

All poles on pages 139 through 161 can be mixed to achieve the higher quantity pricing, but shipment must be made to the same location at the same time.

# OUTDOOR FLAGPOLES



## SINGLE MAST NAUTICAL SERIES WITH YARDARM & GAFF

External Halyard Ground Set Cone Tapered Aluminum Flagpoles

### STANDARD ACCESSORIES

- Gold anodized aluminum ball ornament
- Cast aluminum revolving truck w/pulley
- Aluminum yardarm & gaff with pulleys & mounting hardware
- 4 lengths of solid braided polypropylene halyard
- Swivel flag snaps w/vinyl snap covers
- 4 Cast aluminum cleats with mounting screws
- Spun aluminum flash collar
- Galvanized steel foundation sleeve

**NOTE: All poles priced on page 150 include the yardarm & gaff. See page 152 for pricing on yardarms and gaffs only.**

MODEL	EXPOSED HEIGHT	OVERALL LENGTH	BUTT DIA.	TOP DIA.	WALL	YARDARM DIMENSIONS			GAFF DIMENSIONS			SHIPPING WEIGHT
						LENGTH	CENTER	ENDS	LENGTH	BUTT	TOP	
ECXP20-YG	20'	23'	5"	3"	.125	6'	3 1/2"	2"	5'	3 1/2"	2"	170 lbs.
ECP20-YG	20'	23'	5"	3"	.188	6'	3 1/2"	2"	5'	3 1/2"	2"	170 lbs.
ECXP25-YG	25'	27'	5"	3"	.125	6 1/2'	3 1/2"	2"	5 1/2'	3 1/2"	2"	182 lbs.
ECXAP25-YG	25'	27'	5"	3"	.156	6 1/2'	3 1/2"	2"	5 1/2'	3 1/2"	2"	187 lbs.
ECP25-YG	25'	27'	6"	3 1/2"	.188	6 1/2'	3 1/2"	2"	5 1/2'	3 1/2"	2"	234 lbs.
ECXP30-YG	30'	33'	5"	3"	.125	8 1/2'	3 1/2"	2"	6 1/2'	3 1/2"	2"	217 lbs.
ECXAP30-YG	30'	33'	5"	3"	.156	8 1/2'	3 1/2"	2"	6 1/2'	3 1/2"	2"	225 lbs.
ECAP30-YG	30'	33'	6"	3 1/2"	.156	8 1/2'	3 1/2"	2"	6 1/2'	3 1/2"	2"	277 lbs.
ECP30-YG	30'	33'	6"	3 1/2"	.188	8 1/2'	3 1/2"	2"	6 1/2'	3 1/2"	2"	280 lbs.
ECSAP35-YG*	35'	38 1/2'	5"	3"	.188	9 1/2'	3 1/2"	2"	7 1/2'	3 1/2"	2"	289 lbs.
ECXP35-YG	35'	38 1/2'	6"	3 1/2"	.156	9 1/2'	3 1/2"	2"	7 1/2'	3 1/2"	2"	307 lbs.
ECAP35-YG	35'	38 1/2'	7"	3 1/2"	.156	9 1/2'	3 1/2"	2"	7 1/2'	3 1/2"	2"	321 lbs.
ECP35-YG	35'	38 1/2'	7"	3 1/2"	.188	9 1/2'	3 1/2"	2"	7 1/2'	3 1/2"	2"	341 lbs.
ECXP40-YG	40'	44'	7"	3 1/2"	.156	11'	3 1/2"	2"	9'	3 1/2"	2"	356 lbs.
ECAP40-YG	40'	44'	8"	3 1/2"	.156	11'	3 1/2"	2"	9'	3 1/2"	2"	377 lbs.
ECP40-YG	40'	44'	8"	3 1/2"	.188	11'	3 1/2"	2"	9'	3 1/2"	2"	388 lbs.
ECXP45-YG	45'	49'	8"	3 1/2"	.188	11'	3 1/2"	2"	9'	3 1/2"	2"	445 lbs.
ECXP50-YG	50'	55'	8"	3 1/2"	.188	13'	3 1/2"	2"	10'	3 1/2"	2"	528 lbs.
ECP50-YG	50'	55'	10"	4"	.188	13'	3 1/2"	2"	10'	3 1/2"	2"	608 lbs.
ECXP60-YG	60'	66'	10"	4"	.188	14'	3 1/2"	2"	12'	3 1/2"	2"	785 lbs.
ECXAP60-YG	60'	66'	10"	4"	.250	14'	3 1/2"	2"	12'	3 1/2"	2"	867 lbs.
ECP60-YG	60'	66'	12"	4"	.250	14'	3 1/2"	2"	12'	3 1/2"	2"	946 lbs.
ECXP70-YG	70'	77'	10"	4"	.321	16'	3 1/2"	2"	13'	3 1/2"	2"	1157 lbs.
ECP70-YG	70'	77'	12"	4"	.250	16'	3 1/2"	2"	13'	3 1/2"	2"	1103 lbs.
ECP80-YG	80'	88'	12"	4"	.375	18'	3 1/2"	2"	14'	3 1/2"	2"	1499 lbs.

\*Increased wall thickness for greater strength.

# OUTDOOR FLAGPOLES

## SINGLE MAST NAUTICAL SERIES WITH YARDARM & GAFF

External Halyard Ground Set Cone Tapered Aluminum Flagpoles



All flagpole models marked with an asterisk ( \* ) are now available in both one and two section styles; please specify when placing your order. If not specified, one section pole(s) will be shipped. Add 10% to the pricing below for two section style flagpoles.

### SATIN

MODEL	ITEM #	1-2	3-6	7+
ECXP20-YG	320673	\$2,240	\$2,120	\$2,000
ECP20-YG	320674	2,480	2,350	2,220
ECXP25-YG	320675	2,370	2,240	2,100
ECXAP25-YG	320676	2,590	2,450	2,310
ECP25-YG	320677	2,890	2,760	2,600
ECXP30-YG*	320678	2,610	2,490	2,320
ECXAP30-YG*	320679	2,860	2,700	2,540
ECAP30-YG*	320680	3,190	3,050	2,860
ECP30-YG*	320681	3,240	3,090	2,900
ECSAP35-YG	320682	3,070	2,940	2,720
ECXP35-YG*	320683	3,300	3,150	2,930
ECAP35-YG*	320684	3,580	3,420	3,190
ECP35-YG*	320685	3,920	3,730	3,500
ECXP40-YG	320686	4,290	4,090	3,850
ECAP40-YG	320687	4,610	4,410	4,120
ECP40-YG	320688	4,780	4,590	4,310
ECP45-YG	320689	5,190	4,950	4,660
ECXP50-YG	320690	5,590	5,320	5,010
ECP50-YG	320691	6,610	6,320	5,970
ECXP60-YG	320692	7,470	7,180	6,710
ECXAP60-YG	320693	9,050	8,610	8,140
ECP60-YG	320694	11,370	10,800	10,240
ECXP70-YG	320695	11,010	10,460	9,890
ECP70-YG	320696	12,670	12,040	11,390
ECP80-YG	320697	15,670	14,970	14,180

### CLEAR ANODIZED

MODEL	ITEM #	1-2	3-6	7+
ECXP20-YG	320698	\$2,750	\$2,610	\$2,460
ECP20-YG	320699	3,000	2,860	2,680
ECXP25-YG	320700	2,930	2,810	2,610
ECXAP25-YG	320701	3,120	3,000	2,810
ECP25-YG	320702	3,510	3,330	3,150
ECXP30-YG*	320703	3,230	3,070	2,940
ECXAP30-YG*	320704	3,460	3,270	3,080
ECAP30-YG*	320705	3,890	3,680	3,480
ECP30-YG*	320706	3,950	3,740	3,530
ECSAP35-YG	320707	3,770	3,590	3,380
ECXP35-YG*	320708	4,060	3,860	3,640
ECAP35-YG*	320709	4,400	4,170	3,940
ECP35-YG*	320710	4,740	4,530	4,250
ECXP40-YG	320711	5,200	4,950	4,650
ECAP40-YG	320712	5,610	5,310	5,020
ECP40-YG	320713	5,820	5,530	5,200
ECP45-YG	320714	6,250	5,930	5,590
ECXP50-YG	320715	6,820	6,490	6,120
ECP50-YG	320716	8,200	7,800	7,350
ECXP60-YG	320717	9,020	8,570	8,100
ECXAP60-YG	320718	10,680	10,160	9,600
ECP60-YG	320719	13,110	12,440	11,760
ECXP70-YG	320720	12,910	12,270	11,600
ECP70-YG	320721	14,640	13,910	13,160
ECP80-YG	320722	18,290	17,350	16,440

Read Carefully

### BRONZE ANODIZED

MODEL	ITEM #	1-2	3-6	7+
ECXP20-YG	320723	\$2,840	\$2,700	\$2,560
ECP20-YG	320724	3,070	2,950	2,770
ECXP25-YG	320725	3,040	2,900	2,730
ECXAP25-YG	320726	3,290	3,110	2,960
ECP25-YG	320727	3,620	3,460	3,250
ECXP30-YG*	320728	3,350	3,200	3,010
ECXAP30-YG*	320729	3,620	3,460	3,260
ECAP30-YG*	320730	4,040	3,860	3,640
ECP30-YG*	320731	4,100	3,900	3,680
ECSAP35-YG	320732	4,010	3,800	3,590
ECXP35-YG*	320733	4,310	4,100	3,850
ECAP35-YG*	320734	4,650	4,430	4,170
ECP35-YG*	320735	5,030	4,770	4,490
ECXP40-YG	320736	5,560	5,290	4,970
ECAP40-YG	320737	5,970	5,670	5,370
ECP40-YG	320738	6,180	5,880	5,530
ECP45-YG	320739	6,630	6,290	5,940
ECXP50-YG	320740	7,230	6,850	6,490
ECP50-YG	320741	8,650	8,230	7,760
ECXP60-YG	320742	9,520	9,050	8,550
ECXAP60-YG	320743	11,150	10,590	10,060
ECP60-YG	320744	13,640	12,950	12,260
ECXP70-YG	320745	13,520	12,830	12,150
ECP70-YG	320746	15,290	14,510	13,740
ECP80-YG	320747	18,990	18,030	17,020

### BLACK ANODIZED

MODEL	ITEM #	1-2	3-6	7+
ECXP20-YG	320748	\$2,990	\$2,840	\$2,670
ECP20-YG	320749	3,230	3,070	2,900
ECXP25-YG	320750	3,220	3,050	2,870
ECXAP25-YG	320751	3,420	3,240	3,060
ECP25-YG	320752	3,840	3,640	3,440
ECXP30-YG*	320753	3,590	3,410	3,200
ECXAP30-YG*	320754	3,800	3,590	3,390
ECAP30-YG*	320755	4,260	4,040	3,800
ECP30-YG*	320756	4,370	4,130	3,900
ECSAP35-YG	320757	4,240	4,040	3,790
ECXP35-YG*	320758	4,580	4,370	4,090
ECAP35-YG*	320759	4,930	4,690	4,420
ECP35-YG*	320760	5,300	5,040	4,730
ECXP40-YG	320761	5,850	5,560	5,230
ECAP40-YG	320762	6,270	5,960	5,620
ECP40-YG	320763	6,530	6,200	5,870
ECP45-YG	320764	7,000	6,660	6,290
ECXP50-YG	320765	7,650	7,280	6,870
ECP50-YG	320766	9,180	8,710	8,250
ECXP60-YG	320767	10,100	9,580	9,060
ECXAP60-YG	320768	11,760	11,150	10,550
ECP60-YG	320769	14,270	13,550	12,820
ECXP70-YG	320770	14,150	13,440	12,740
ECP70-YG	320771	16,000	15,190	14,410
ECP80-YG	320772	19,840	18,840	17,860

All poles on pages 139 through 161 can be mixed to achieve the higher quantity pricing, but shipment must be made to the same location at the same time.

# OUTDOOR FLAGPOLES

## ALUMINUM YARDARMS

Cone Tapered For Single Mast Nautical Poles



Each yardarm is supplied with end pulleys, (2) lengths of solid braided polypropylene halyard with swivel flag snaps & snap covers, (2) 9" cast aluminum cleats with mounting screws plus all mounting hardware for a standard installation.

MODEL	FOR POLE HEIGHT	OVERALL LENGTH	CENTER DIA.	DIA. AT ENDS	SHIPPING WEIGHT
Y60	20'	6'	3 1/2"	2"	31 lbs.
Y65	25'	6 1/2'	3 1/2"	2"	33 lbs.
Y85	30'	8 1/2'	3 1/2"	2"	40 lbs.
Y95	35'	9 1/2'	3 1/2"	2"	43 lbs.
Y110	40'/45'	11'	3 1/2"	2"	52 lbs.
Y130	50'	13'	3 1/2"	2"	59 lbs.
Y140	60'	14'	3 1/2"	2"	70 lbs.
Y160	70'	16'	3 1/2"	2"	75 lbs.
Y180	80'	18'	3 1/2"	2"	85 lbs.

### SATIN

MODEL	ITEM #	1-2	3-6	7+
Y60	320773	\$710	\$670	\$630
Y65	320774	750	710	660
Y85	320775	820	780	710
Y95	320776	830	800	730
Y110	320777	910	870	820
Y130	320778	1,010	970	900
Y140	320779	1,080	1,020	970
Y160	320780	1,110	1,060	1,000
Y180	320781	1,280	1,200	1,130

### CLEAR ANODIZED

MODEL	ITEM #	1-2	3-6	7+
Y60	320782	\$870	\$820	\$780
Y65	320783	910	870	810
Y85	320784	1,000	940	890
Y95	320785	1,030	970	910
Y110	320786	1,130	1,080	1,010
Y130	320787	1,290	1,220	1,150
Y140	320788	1,340	1,260	1,190
Y160	320789	1,440	1,360	1,280
Y180	320790	1,640	1,550	1,470

### BRONZE ANODIZED

MODEL	ITEM #	1-2	3-6	7+
Y60	320791	\$880	\$840	\$800
Y65	320792	940	900	850
Y85	320793	1,060	1,010	950
Y95	320794	1,120	1,060	1,000
Y110	320795	1,250	1,190	1,110
Y130	320796	1,440	1,360	1,280
Y140	320797	1,510	1,450	1,370
Y160	320798	1,650	1,570	1,480
Y180	320799	1,870	1,760	1,670

### BLACK ANODIZED

MODEL	ITEM #	1-2	3-6	7+
Y60	320800	\$930	\$890	\$840
Y65	320801	1,000	940	890
Y85	320802	1,120	1,060	1,000
Y95	320803	1,160	1,110	1,040
Y110	320804	1,320	1,250	1,180
Y130	320805	1,520	1,460	1,380
Y140	320806	1,620	1,520	1,450
Y160	320807	1,760	1,670	1,590
Y180	320808	2,010	1,910	1,830

## ALUMINUM GAFFS

Cone Tapered For Single Mast Nautical Poles



Each gaff is supplied with an end pulley, (1) length of solid braided polypropylene halyard with swivel flag snaps & snap covers, (1) 9" cast aluminum cleat with mounting screws plus all mounting hardware for a standard installation.

MODEL	FOR POLE HEIGHT	OVERALL LENGTH	CENTER DIA.	DIA. AT ENDS	SHIPPING WEIGHT
G50	20'	5'	3 1/2"	2"	30 lbs.
G56	25'	5 1/2'	3 1/2"	2"	30 lbs.
G66	30'	6 1/2'	3 1/2"	2"	33 lbs.
G76	35'	7 1/2'	3 1/2"	2 3/8"	37 lbs.
G90	40'/45'	9'	3 1/2"	2 3/8"	42 lbs.
G100	50'	10'	3 1/2"	2 3/8"	46 lbs.
G120	60'	12'	3 1/2"	2 3/8"	53 lbs.
G140	70'	14'	3 1/2"	2 3/8"	60 lbs.
G160	80'	16'	3 1/2"	2 3/8"	67 lbs.

### SATIN

MODEL	ITEM #	1-2	3-6	7+
G50	320809	\$480	\$450	\$430
G56	320810	500	480	450
G66	320811	550	520	490
G76	320812	570	550	500
G90	320813	590	570	520
G100	320814	610	590	550
G120	320815	640	610	580
G140	320816	680	640	610
G160	320817	770	710	670

### CLEAR ANODIZED

MODEL	ITEM #	1-2	3-6	7+
G50	320818	\$600	\$570	\$520
G56	320819	640	620	580
G66	320820	690	650	620
G76	320821	710	690	650
G90	320822	780	720	680
G100	320823	840	800	730
G120	320824	900	860	800
G140	320825	940	900	850
G160	320826	1,020	970	910

### BRONZE ANODIZED

MODEL	ITEM #	1-2	3-6	7+
G50	320827	\$630	\$610	\$570
G56	320828	690	650	620
G66	320829	720	690	650
G76	320830	820	790	720
G90	320831	900	860	800
G100	320832	950	910	860
G120	320833	1,010	950	900
G140	320834	1,080	1,020	970
G160	320835	1,180	1,120	1,050

### BLACK ANODIZED

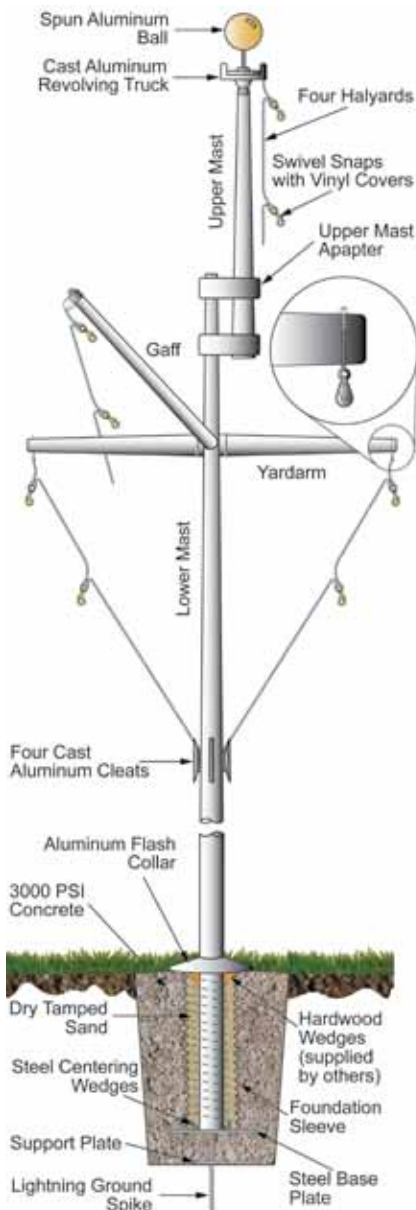
MODEL	ITEM #	1-2	3-6	7+
G50	320836	\$670	\$630	\$600
G56	320837	720	690	650
G66	320838	790	730	690
G76	320839	900	860	800
G90	320840	970	920	870
G100	320841	1,060	1,000	940
G120	320842	1,130	1,080	1,010
G140	320843	1,190	1,130	1,080
G160	320844	1,340	1,250	1,190



## DOUBLE MAST NAUTICAL SERIES WITH YARDARM & GAFF

Double Mast Nautical flagpoles are designed to authentically match the original concept of the old double masted ship riggings with the Stars & Stripes flying from the mast's gaff. The top & lower mast connecting bracket as well as the gaff & yardarm bracket are specially fabricated from aluminum plate & tubing, heliarc welded and finished to match the flagpole. The resulting flagpole is one of beauty, strength and authenticity. All fittings for a complete installation are included; gold anodized aluminum ball ornament, revolving truck assembly, four halyards with swivel flag snaps & vinyl snap covers, four rope cleats with mounting screws, spun aluminum flash collar & corrugated steel foundation sleeve.

MODEL	EXPOSED HEIGHT	OVERALL LENGTH	BUTT DIA.	TOP DIA.	WALL	YARDARM DIMENSIONS			GAFF DIMENSIONS			SHIPPING WEIGHT
						LENGTH	CENTER	ENDS	LENGTH	BUTT	TOP	
ECPDM20	20'	23'	5"	3"	.188	6'	3 1/2"	2"	5'	3 1/2"	2"	284 lbs.
ECPDM25	25'	27'	6"	3 1/2"	.188	6 1/2'	3 1/2"	2"	5 1/2'	3 1/2"	2"	330 lbs.
ECPDM30	30'	33'	6"	3 1/2"	.188	8 1/2'	3 1/2"	2"	6 1/2'	3 1/2"	2"	391 lbs.
ECPDM35	35'	38 1/2'	7"	3 1/2"	.188	9 1/2'	3 1/2"	2"	7 1/2'	3 1/2"	2"	438 lbs.
ECPDM40	40'	44'	8"	3 1/2"	.188	11'	3 1/2"	2"	9'	3 1/2"	2"	495 lbs.
ECPDM45	45'	49'	8"	3 1/2"	.188	11'	3 1/2"	2"	9'	3 1/2"	2"	658 lbs.
ECPDM50	50'	55'	10"	4"	.188	13'	3 1/2"	2"	10'	3 1/2"	2"	996 lbs.
ECPDM60	60'	66'	12"	4"	.250	14'	3 1/2"	2"	12'	3 1/2"	2"	1153 lbs.
ECPDM70	70'	77'	12"	4"	.312	16'	3 1/2"	2"	14'	3 1/2"	2"	1549 lbs.



### SATIN

MODEL	ITEM #	1-2	3-6	7+
ECPDM20	320845	\$4,310	\$4,140	\$3,920
ECPDM25	320846	5,170	4,920	4,660
ECPDM30	320847	5,710	5,430	5,140
ECPDM35	320848	6,670	6,330	6,000
ECPDM40	320849	8,170	7,760	7,350
ECPDM45	320850	9,000	8,540	8,080
ECPDM50	320851	10,620	10,070	9,550
ECPDM60	320852	16,340	15,440	14,640
ECPDM70	320853	20,430	19,300	18,040

### CLEAR ANODIZED

MODEL	ITEM #	1-2	3-6	7+
ECPDM20	320855	\$4,920	\$4,670	\$4,420
ECPDM25	320856	5,850	5,550	5,260
ECPDM30	320857	6,430	6,090	5,770
ECPDM35	320858	7,540	7,150	6,760
ECPDM40	320859	9,300	8,830	8,370
ECPDM45	320860	10,230	9,710	9,200
ECPDM50	320861	12,160	11,550	10,930
ECPDM60	320862	18,620	18,000	17,050
ECPDM70	320863	23,470	22,300	21,450

### BRONZE ANODIZED

MODEL	ITEM #	1-2	3-6	7+
ECPDM20	320865	\$5,110	\$4,860	\$4,580
ECPDM25	320866	6,000	5,700	5,400
ECPDM30	320867	6,570	6,220	5,910
ECPDM35	320868	7,710	7,330	6,940
ECPDM40	320869	9,450	8,970	8,490
ECPDM45	320870	10,420	9,890	9,360
ECPDM50	320871	12,450	11,830	11,210
ECPDM60	320872	19,070	18,130	17,160
ECPDM70	320873	23,970	22,770	21,580

### BLACK ANODIZED

MODEL	ITEM #	1-2	3-6	7+
ECPDM20	320875	\$5,190	\$4,940	\$4,670
ECPDM25	320876	6,060	5,760	5,440
ECPDM30	320877	6,630	6,280	5,960
ECPDM35	320878	7,790	7,400	7,010
ECPDM40	320879	9,510	9,050	8,560
ECPDM45	320880	10,530	10,000	9,470
ECPDM50	320881	12,520	11,910	11,280
ECPDM60	320882	19,200	18,240	17,290
ECPDM70	320883	24,070	22,890	21,700

# OUTDOOR FLAGPOLES

## BRACKETS FOR 2<sup>3</sup>/<sub>8</sub>" THROUGH 5" POLES



## BRACKETS FOR 6" AND 6<sup>1</sup>/<sub>2</sub>" POLES



## VERTICAL WALL MOUNT SERIES

External Halyard Cone Tapered Aluminum Flagpoles

### STANDARD ACCESSORIES

- Gold anodized aluminum ball ornament
- Cast aluminum revolving truck on 5" & 6" diameter poles; all others have a stationary truck as standard
- Solid braided polypropylene halyard
- 4", 5" & 6" diameter poles have swivel flag snaps with vinyl covers; all others have nylon flag snaps
- Cast aluminum cleat with mounting screws
- Cast aluminum mounting brackets - specify expansion shields or thru wall bolts; if not specified expansion shields will be provided

MODEL	OVERALL LENGTH	BUTT DIA.	TOP DIA.	WALL	REC. FLAG SIZE	SHIPPING WEIGHT
EVWM8	8'	2 <sup>3</sup> / <sub>8</sub> "	1 <sup>7</sup> / <sub>8</sub> "	.140	3' x 5'	31 lbs.
EVWM10	10'	2 <sup>3</sup> / <sub>8</sub> "	1 <sup>7</sup> / <sub>8</sub> "	.140	3' x 5'	35 lbs.
EVWM12	12'	2 <sup>3</sup> / <sub>8</sub> "	1 <sup>7</sup> / <sub>8</sub> "	.140	3' x 5'	38 lbs.
EVWM14	14'	2 <sup>3</sup> / <sub>8</sub> "	1 <sup>7</sup> / <sub>8</sub> "	.140	3' x 5'	42 lbs.
EVWM17	17'	2 <sup>3</sup> / <sub>8</sub> "	1 <sup>7</sup> / <sub>8</sub> "	.140	3' x 5'	47 lbs.
EVWM20	20'	2 <sup>3</sup> / <sub>8</sub> "	1 <sup>7</sup> / <sub>8</sub> "	.140	3' x 5'	52 lbs.
EVWM22	22'	2 <sup>3</sup> / <sub>8</sub> "	1 <sup>7</sup> / <sub>8</sub> "	.140	3' x 5'	56 lbs.
EVWS8	8'	3"	1 <sup>7</sup> / <sub>8</sub> "	.125	3' x 5'	31 lbs.
EVWS10	10'	3"	1 <sup>7</sup> / <sub>8</sub> "	.125	3' x 5'	34 lbs.
EVWS12	12'	3"	1 <sup>7</sup> / <sub>8</sub> "	.125	3' x 5'	38 lbs.
EVWS14	14'	3"	1 <sup>7</sup> / <sub>8</sub> "	.125	3' x 5'	42 lbs.
EVWS17	17'	3"	1 <sup>7</sup> / <sub>8</sub> "	.125	3' x 5'	48 lbs.
EVWS20	20'	3"	1 <sup>7</sup> / <sub>8</sub> "	.125	3' x 5'	53 lbs.
EVWS22	22'	3"	1 <sup>7</sup> / <sub>8</sub> "	.125	3' x 5'	57 lbs.
EVWS25	25'	3"	1 <sup>7</sup> / <sub>8</sub> "	.125	3' x 5'	63 lbs.
EVWS27	27'	3"	1 <sup>7</sup> / <sub>8</sub> "	.125	3' x 5'	67 lbs.
EVW12	12'	3 <sup>1</sup> / <sub>2</sub> "	2 <sup>3</sup> / <sub>8</sub> "	.125	3' x 5'	44 lbs.
EVW16	16'	3 <sup>1</sup> / <sub>2</sub> "	2 <sup>3</sup> / <sub>8</sub> "	.125	3' x 5'	52 lbs.
EVW20	20'	3 <sup>1</sup> / <sub>2</sub> "	2 <sup>3</sup> / <sub>8</sub> "	.125	3' x 5'	59 lbs.
EVW22	22'	3 <sup>1</sup> / <sub>2</sub> "	2 <sup>3</sup> / <sub>8</sub> "	.125	3' x 5'	66 lbs.
EVW25	25'	3 <sup>1</sup> / <sub>2</sub> "	2 <sup>3</sup> / <sub>8</sub> "	.125	4' x 6'	75 lbs.
EVW27	27'	3 <sup>1</sup> / <sub>2</sub> "	2 <sup>3</sup> / <sub>8</sub> "	.125	4' x 6'	77 lbs.
EVWAF16	16'	4"	2 <sup>3</sup> / <sub>8</sub> "	.125	3' x 5'	81 lbs.
EVWAF20	20'	4"	2 <sup>3</sup> / <sub>8</sub> "	.125	3' x 5'	94 lbs.
EVWAF22	22'	4"	2 <sup>3</sup> / <sub>8</sub> "	.125	3' x 5'	101 lbs.
EVWAF25	25'	4"	2 <sup>3</sup> / <sub>8</sub> "	.125	4' x 6'	110 lbs.
EVWAF27	27'	4"	2 <sup>3</sup> / <sub>8</sub> "	.125	4' x 6'	117 lbs.
EVWAF30	30'	4"	2 <sup>3</sup> / <sub>8</sub> "	.125	5' x 8'	178 lbs.
LVW20	20'	5"	3"	.125	4' x 6'	97 lbs.
LVWC20	20'	5"	3"	.188	4' x 6'	99 lbs.
LVW23	23'	5"	3"	.125	4' x 6'	108 lbs.
LVWC23	23'	5"	3"	.188	4' x 6'	111 lbs.
LVW25	25'	5"	3"	.125	4' x 6'	115 lbs.
LVWA25	25'	5"	3"	.156	4' x 6'	131 lbs.
LVW27	27'	5"	3"	.125	4' x 6'	123 lbs.
LVWA27	27'	5"	3"	.156	4' x 6'	139 lbs.
LVW30	30'	6"	3 <sup>1</sup> / <sub>2</sub> "	.156	5' x 8'	178 lbs.
LVWC30	30'	6"	3 <sup>1</sup> / <sub>2</sub> "	.188	5' x 8'	230 lbs.
LVW33	33'	6"	3 <sup>1</sup> / <sub>2</sub> "	.156	5' x 8'	192 lbs.
LVWC33	33'	6"	3 <sup>1</sup> / <sub>2</sub> "	.188	5' x 8'	250 lbs.
LVW35	35'	6"	3 <sup>1</sup> / <sub>2</sub> "	.156	6' x 10'	201 lbs.



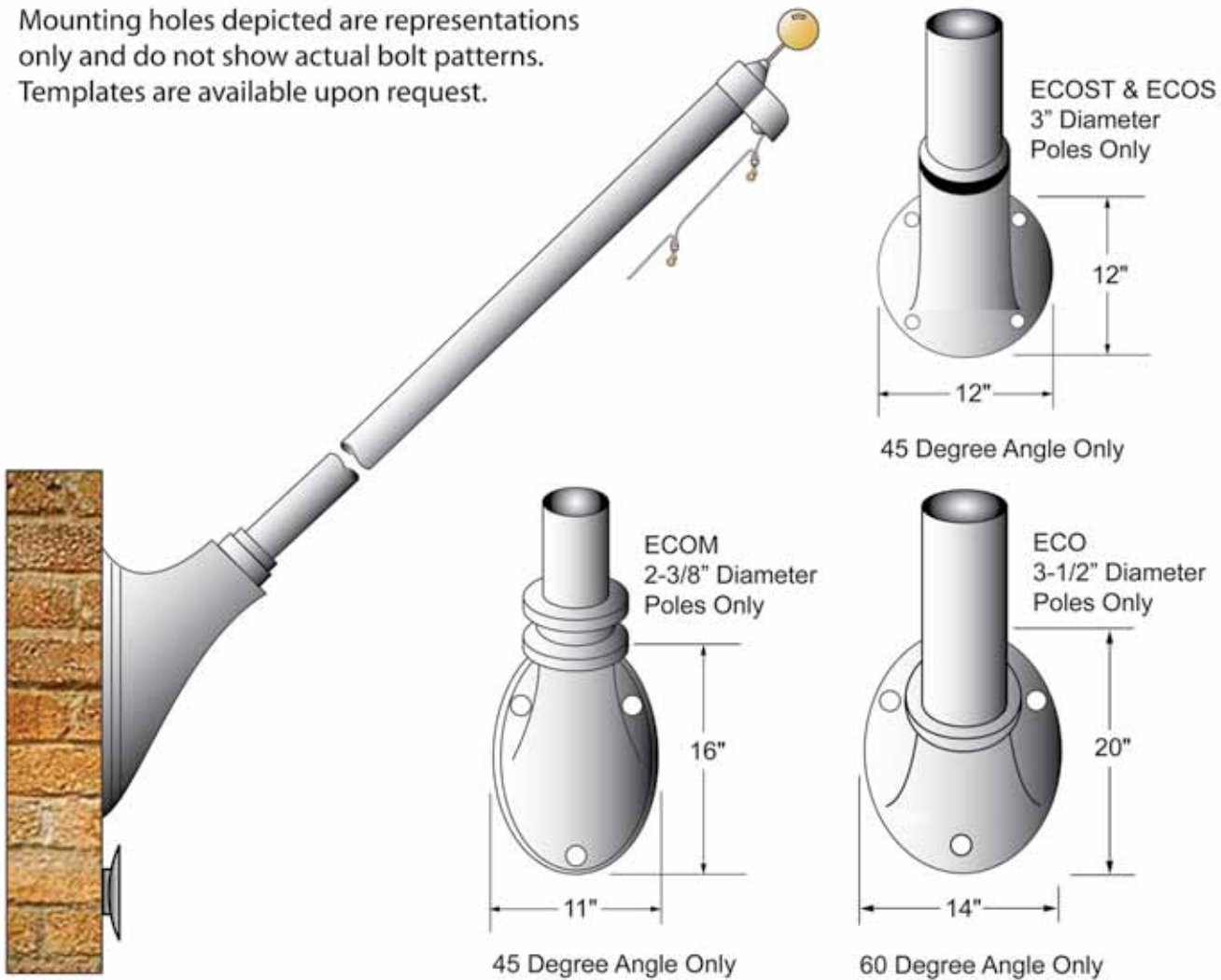
# OUTDOOR FLAGPOLES

## OUTRIGGER WALL MOUNT SERIES

External Halyard Aluminum Flagpoles

All Models are Cone Tapered Except the ECOS Models which are Non-Tapering Poles

Mounting holes depicted are representations only and do not show actual bolt patterns. Templates are available upon request.



### STANDARD ACCESSORIES

- Gold anodized aluminum ball ornament
- Cast aluminum stationary truck
- Solid braided polypropylene halyard
- (2) nylon flag snaps
- Cast aluminum cleat with mounting screws
- Cast aluminum mounting bracket - please specify expansion shields or thru wall bolts; if not specified expansion shields will be supplied

MODEL	OVERALL LENGTH	CONE TAPERED	NON-TAPERED	BUTT DIA.	TOP DIA.	WALL	REC. FLAG SIZE	SHIPPING WEIGHT
ECOM8	8'	•		2 <sup>3</sup> / <sub>8</sub> "	1 <sup>7</sup> / <sub>8</sub> "	.140	3' x 5'	51 lbs.
ECOM10	10'	•		2 <sup>3</sup> / <sub>8</sub> "	1 <sup>7</sup> / <sub>8</sub> "	.140	3' x 5'	58 lbs.
ECOM12	12'	•		2 <sup>3</sup> / <sub>8</sub> "	1 <sup>7</sup> / <sub>8</sub> "	.140	3' x 5'	58 lbs.
ECOM14	14'	•		2 <sup>3</sup> / <sub>8</sub> "	1 <sup>7</sup> / <sub>8</sub> "	.140	3' x 5'	62 lbs.
ECOM16	16'	•		2 <sup>3</sup> / <sub>8</sub> "	1 <sup>7</sup> / <sub>8</sub> "	.140	3' x 5'	65 lbs.
ECOST8	8'	•		3"	1 <sup>7</sup> / <sub>8</sub> "	.125	3' x 5'	36 lbs.
ECOST10	10'	•		3"	1 <sup>7</sup> / <sub>8</sub> "	.125	3' x 5'	39 lbs.
ECOS8	8'		•	3"	3"	.125	3' x 5'	35 lbs.
ECOS10	10'		•	3"	3"	.125	3' x 5'	38 lbs.
ECO8	8'	•		3 <sup>1</sup> / <sub>2</sub> "	2 <sup>3</sup> / <sub>8</sub> "	.125	3' x 5'	54 lbs.
ECO10	10'	•		3 <sup>1</sup> / <sub>2</sub> "	2 <sup>3</sup> / <sub>8</sub> "	.125	3' x 5'	58 lbs.
ECO12	12'	•		3 <sup>1</sup> / <sub>2</sub> "	2 <sup>3</sup> / <sub>8</sub> "	.125	3' x 5'	62 lbs.
ECO16	16'	•		3 <sup>1</sup> / <sub>2</sub> "	2 <sup>3</sup> / <sub>8</sub> "	.125	3' x 5'	71 lbs.
ECO20*	20'	•		3 <sup>1</sup> / <sub>2</sub> "	2 <sup>3</sup> / <sub>8</sub> "	.125	4' x 6'	80 lbs.

\*Suggested to use guy wires

# OUTDOOR FLAGPOLES

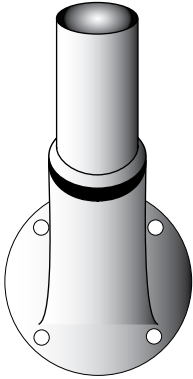
## OUTRIGGER WALL MOUNT SERIES

External Halyard Aluminum Flagpoles

### COMPLETE SETS

Includes Brackets & Mounting Hardware

#### ECOST & ECOS



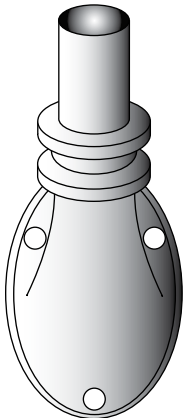
#### SATIN

MODEL	ITEM #	1-2	3-6	7+
ECOM8	323061	\$800	\$780	\$720
ECOM10	323062	820	790	720
ECOM12	323063	840	800	730
ECOM14	323064	860	810	770
ECOM16	323065	870	820	780
ECOST8	323066	460	440	420
ECOST10	323067	480	460	440
ECOS8	323068	450	430	400
ECOS10	323069	460	440	420
ECO8	324061	1,150	1,100	1,040
ECO10	324057	1,180	1,120	1,060
ECO12	323070	1,200	1,130	1,070
ECO16	323071	1,220	1,160	1,100
ECO20	323072	1,250	1,180	1,120

#### CLEAR ANODIZED

MODEL	ITEM #	1-2	3-6	7+
ECOM8	323073	\$990	\$940	\$890
ECOM10	323074	1,000	950	900
ECOM12	323075	1,010	970	910
ECOM14	323076	1,020	980	920
ECOM16	323077	1,030	990	930
ECOST8	323078	580	560	540
ECOST10	323079	610	590	560
ECOS8	323080	510	490	470
ECOS10	323081	550	520	500
ECO8	324062	1,510	1,450	1,360
ECO10	324058	1,530	1,470	1,380
ECO12	323082	1,560	1,480	1,410
ECO16	323083	1,580	1,500	1,430
ECO20	323084	1,620	1,520	1,450

#### ECOM



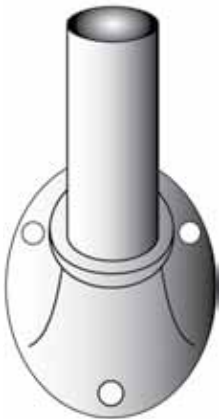
#### BRONZE ANODIZED

MODEL	ITEM #	1-2	3-6	7+
ECOM8	323085	\$1,140	\$1,090	\$1,020
ECOM10	323086	1,160	1,110	1,040
ECOM12	323087	1,190	1,130	1,070
ECOM14	323088	1,220	1,160	1,100
ECOM16	323089	1,250	1,190	1,130
ECOST8	323090	590	570	540
ECOST10	323091	630	610	580
ECOS8	323092	540	510	480
ECOS10	323093	570	550	520
ECO8	324063	1,550	1,480	1,400
ECO10	324059	1,570	1,500	1,420
ECO12	323094	1,590	1,510	1,440
ECO16	323095	1,630	1,530	1,460
ECO20	323096	1,650	1,560	1,470

#### BLACK ANODIZED

MODEL	ITEM #	1-2	3-6	7+
ECOM8	323097	\$1,070	\$1,020	\$980
ECOM10	323098	1,100	1,050	1,000
ECOM12	323099	1,120	1,070	1,020
ECOM14	323100	1,140	1,100	1,040
ECOM16	323101	1,160	1,120	1,070
ECOST8	323102	640	610	580
ECOST10	323103	650	630	610
ECOS8	323104	570	550	510
ECOS10	323105	590	570	540
ECO8	324064	1,560	1,490	1,410
ECO10	324060	1,580	1,510	1,430
ECO12	323106	1,620	1,530	1,440
ECO16	323107	1,640	1,550	1,460
ECO20	323108	1,660	1,570	1,480

#### ECO



### BRACKETS ONLY

Mounting Hardware Not Included & Priced Separately on Page 185

#### SATIN

MODEL	ITEM #	1-2	3-6	7+
ECOM/B	323157	\$450	\$430	\$410
ECOST/B	323158	215	205	195
ECO/B	323159	890	840	800

#### CLEAR

MODEL	ITEM #	1-2	3-6	7+
ECOM/B	323160	\$600	\$570	\$550
ECOST/B	323161	245	235	225
ECO/B	323162	1,000	940	890

#### BRONZE

MODEL	ITEM #	1-2	3-6	7+
ECOM/B	323163	\$600	\$570	\$550
ECOST/B	323164	245	235	225
ECO/B	323165	1,000	940	890

#### BLACK

MODEL	ITEM #	1-2	3-6	7+
ECOM/B	323166	\$600	\$570	\$550
ECOST/B	323167	245	235	225
ECO/B	323168	1,000	940	890

#### WHITE

MODEL	ITEM #	1-2	3-6	7+
ECOM/B	323169	\$600	\$570	\$550
ECOST/B	323170	245	235	225
ECO/B	323171	1,000	940	890

### SHIPPING WEIGHTS

ECOM Brackets Weigh 26 lbs. each  
 ECOST Brackets Weigh 8.4 lbs. each  
 ECO Brackets Weigh 22 lbs. each

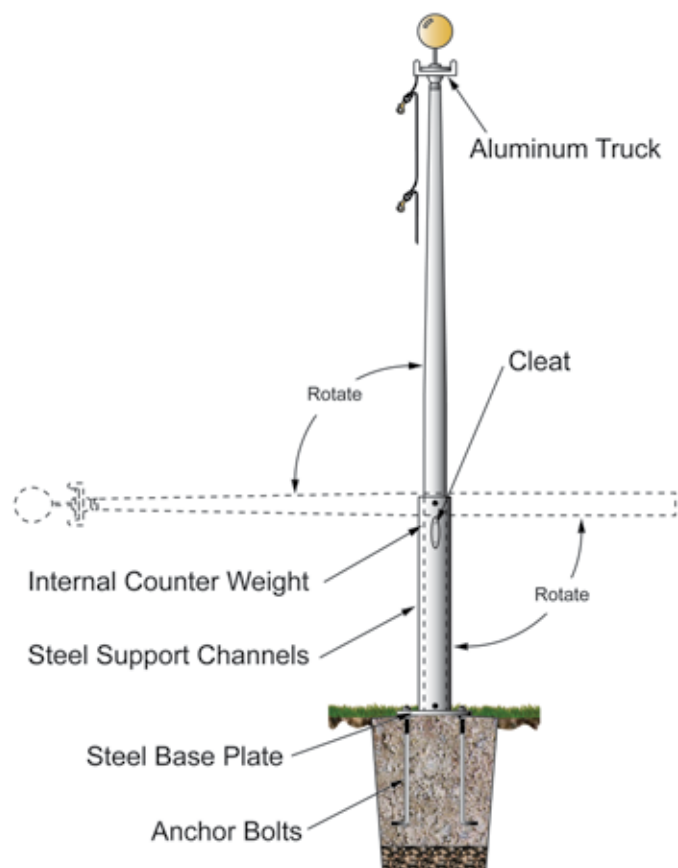
**Add \$30.00 to any of the flagpole pricing above for double cleat-double halyard flagpoles.**

All poles on pages 139 through 161 can be mixed to achieve the higher quantity pricing, but shipment must be made to the same location at the same time.

# OUTDOOR FLAGPOLES

## COUNTER-BALANCED TILTING FLAGPOLES

All of the cone tapered aluminum flagpoles on pages 141 through 155 can be adapted with a counter-balanced tilt system. For ease of maintenance, the counter-balanced tilting flagpole has no equal. This unique design features a steel counter-weight inside the flagpole shaft to avoid disturbing the appearance of the tapered shaft. The base structure consists of two support channels welded to a base plate. The flagpole shaft is suspended by a pivot bolt and secured with a locking clip assembly. Anchor bolts are furnished for mounting to a concrete base.

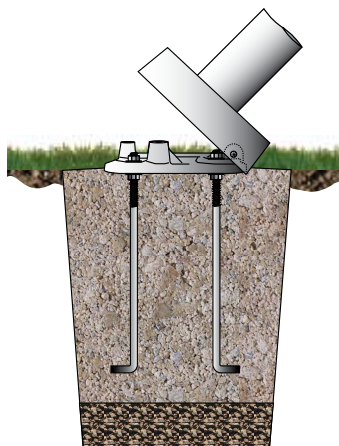


**FOR COUNTER-BALANCED TILTING FLAGPOLES, ADD THE FOLLOWING PRICING TO ANY OF THE FLAGPOLES ON PAGES 139 - 153.**

BUTT DIAMETER	PRICE
2 <sup>3</sup> / <sub>8</sub> "	\$880
3"	920
3 <sup>1</sup> / <sub>2</sub> "	1,150
4"	1,450
5"	2,100
6"	2,720
7"	3,620
8"	4,940
10"	8,310

## TILTING SHOE BASE FLAGPOLES

All of the cone tapered aluminum flagpoles on pages 141 through 155 with a 3", 4", 5" or 6" butt diameter can be supplied with a tilting shoe base. The tilting base is circumferentially welded to the base eliminating the need for a flash collar. The hinged portion of the base is held in place by (3) stainless steel, allen head bolts and pivots on a solid aluminum pivot rod. Anchor bolts are furnished for mounting to a concrete base.

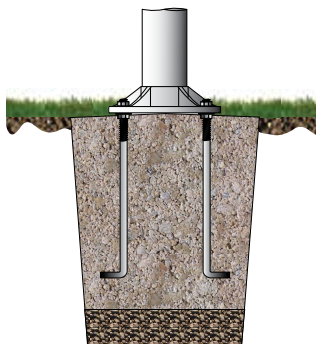


**FOR TILTING SHOE BASE FLAGPOLES, ADD THE FOLLOWING PRICING TO ANY OF THE FLAGPOLES ON PAGES 139 - 153.**

BUTT DIA.	1-2	3-6	7+
3"	\$400	\$380	\$350
4"	490	460	440
5"	500	480	450
6"	500	480	450

## SHOE BASE FLAGPOLES

All of the cone tapered aluminum flagpoles on pages 141 through 155 can be supplied with a shoe base mounting. The aluminum base is circumferentially welded to the flagpole shaft. A spun aluminum flash collar is supplied as standard unless otherwise specified. Anchor bolts are furnished for mounting to a concrete base.



**FOR SHOE BASE FLAGPOLES, ADD THE FOLLOWING PRICING TO ANY OF THE FLAGPOLES ON PAGES 139 - 153.**

BUTT DIA.	1-2	3-6	7+
2 <sup>3</sup> / <sub>8</sub> "	\$230	\$220	\$210
3"	240	230	210
4"	260	250	240
5"	290	270	260
6"	300	290	270
7"	310	300	290
8"	340	330	310
10"*	1,530	1,470	1,390
12"*	1,690	1,610	1,530

\*In addition to a shoe base, a mandrel is inserted into pole for added structural support.

## GROUND SET DIMINISHING SECTION STEEL FLAGPOLES

Both external and internal halyard flagpoles are fabricated from all new seamless steel tubing. Diminishing sections, welded together, form a tapered appearance. Sizes below are most commonly used, we can fabricate other sizes to any specifications.

### EXTERNAL HALYARD FEATURES

**Ball** - 14 Ga. Aluminum with flash seam. Gold anodized is furnished unless otherwise specified or choose from Clear Anodized (Silver) or finished to match shaft.

**Truck** - heavy duty, external halyard, non-fouling, revolving-type with 26 stainless steel ball bearings. Finished to match flagpole shaft.

**Halyard** - standard equipment includes one waterproof, mildew and U.V. Resistant nylon halyard with wire center. Choose: White, Silver, Black or Brown to match shaft.

**Cleat** - heavy-duty cast aluminum finished to match shaft. Secured with two stainless steel, flat-head, tamper-proof machine screws.

**Collar** - ornamental base or flash collar of spun aluminum with a diameter of at least 1" larger than the foundation sleeve.

**Foundation Sleeve** - 16 Ga. Corrugated steel tubing with lightning spike, base plate, support plate and centering wedges.

Above fittings are included as standard equipment on all Diminishing Section Flagpoles with External Halyards. As with all of our Flagpole lines, optional accessories are available.

**Finish** - all of our steel flagpoles are mechanically cleaned and chemically etched to provide a smooth surface. Two coats of two-part polyurethane primer are applied before application of two polyurethane finish coats. Specify custom or one of these standard colors: Aluminum (silver), Light Bronze, Medium Bronze, Dark Bronze, Black or White.

**Recommendation:** flagpoles above 100' exposed height should be equipped with an internal halyard to aid in raising and lowering larger flags.

### INTERNAL HALYARD FEATURES

**Ball (optional)** - 14 Ga. Aluminum with flash seam. Gold anodized is furnished unless otherwise specified or choose from Clear Anodized (Silver) or finished to match shaft.

**Truck** - heavy duty, INTERNAL halyard revolving-type with 26 stainless steel ball bearings. Finished to match flagpole shaft.

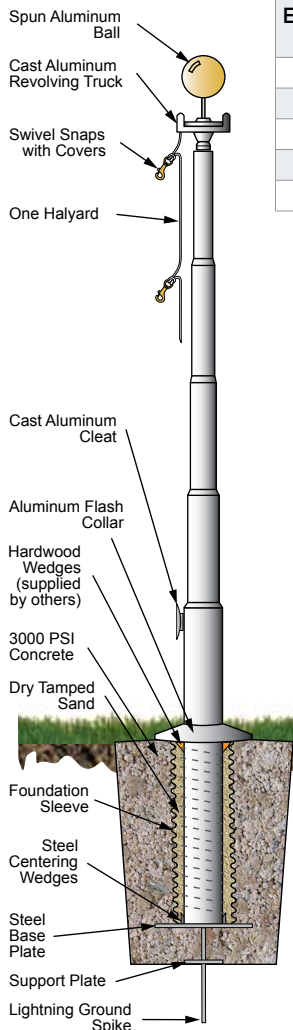
**Halyard** - standard equipment includes one stainless steel aircraft cable complete with proper size flag arrangement, shock spring, counterweight, beaded retainer ring and flag snaps.

**Winch** - new, improved winch, mounted inside shaft, is operable only by a removable crank handle. Gearless and self-locking at any point, it eliminates the need for a separate brake. New direct-drive permits rapid raising and lowering of flag with little effort. As stainless steel cable unwinds from winch, it passes up through the shaft, over truck sheave to the outside of the shaft where retainer sling provides a sliding anchor. Counterweight, heavily coated with neoprene, attached to retainer sling, allows halyard to be lowered for fastening or removing flag. Then, halyard is raised completely out of reach of vandals.

**Collar** - ornamental base or flash collar of spun aluminum with a diameter of at least 1" larger than the foundation sleeve.

Above fittings are included as standard equipment on all Diminishing Section Flagpoles with External Halyards. As with all of our Flagpole lines, optional accessories are available.

### EXTERNAL HALYARD



EXPOSED HEIGHT	OVERALL LENGTH	BUTT DIA.	TOP DIA.	WALL	# OF SECTIONS	FIELD WELDS	MAXIMUM UNFLAGGED WIND SPEED	MAXIMUM FLAGGED WIND SPEED	MAXIMUM SUGGESTED FLAG SIZE	SHIPPING WEIGHT
90'	99'	10.75"	4.5"	.375	5	2	100+ MPH	78 MPH	25' x 40'	2700 lbs.
100'	110'	12.75"	5.563"	.375	5	2	100+ MPH	88 MPH	30' x 50'	3900 lbs.
110'	121'	14"	6.625"	.375	5	2	100+ MPH	87 MPH	30' x 50'	4100 lbs.
120'	132'	14"	6.625"	.375	5	3	100+ MPH	85 MPH	30' x 50'	4900 lbs.
130'	143'	18"	6.625"	.375	6	3	100+ MPH	88 MPH	30' x 50'	6400 lbs.

Your choice of Silver, Light Bronze, Medium Bronze, Dark Bronze, Black or White painted finish.

EXTERNAL HALYARD PRICING			
MODEL	1-2	3-6	7+
EST90	Call for pricing.		
EST100			
EST110			
EST120			
EST120			
EST130			

INTERNAL HALYARD PRICING			
MODEL	1-2	3-6	7+
EST90IH	Call for pricing.		
EST100IH			
EST110IH			
EST120IH			
EST120IH			
EST130IH			

EXTERNAL HALYARD ITEM NUMBERS						
MODEL	SILVER	LT. BRONZE	MED. BRONZE	DK. BRONZE	BLACK	WHITE
	ITEM #	ITEM #	ITEM #	ITEM #	ITEM #	ITEM #
EST90	322638	322663	322643	322648	322653	322658
EST100	322639	322664	322644	322649	322654	322659
EST110	322640	322665	322645	322650	322655	322660
EST120	322641	322666	322646	322651	322656	322661
EST130	322642	322667	322647	322652	322657	322662

INTERNAL HALYARD ITEM NUMBERS						
MODEL	SILVER	LT. BRONZE	MED. BRONZE	DK. BRONZE	BLACK	WHITE
	ITEM #	ITEM #	ITEM #	ITEM #	ITEM #	ITEM #
EST90IH	322668	322693	322673	322678	322683	322688
EST100IH	322669	322694	322674	322679	322684	322689
EST110IH	322670	322695	322675	322680	322685	322690
EST120IH	322671	322696	322676	322681	322686	322691
EST130IH	322672	322697	322677	322682	322687	322692

All poles on pages 139 through 161 can be mixed to achieve the higher quantity pricing, but shipment must be made to the same location at the same time.

# OUTDOOR FLAGPOLES

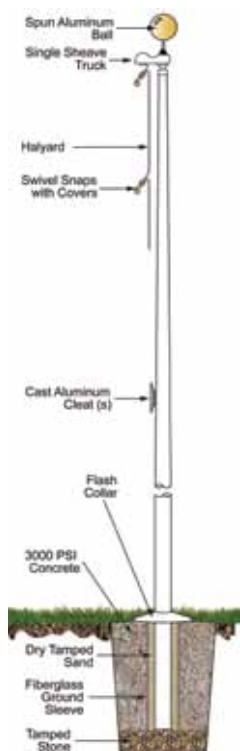
## FIBERGLASS SERIES

Our fiberglass flagpoles are manufactured to duplicate the classic Greek Entasis taper design. All poles have an ultra-hard, gel coat finish that stands up to the harshest of weather conditions. Our rugged gel coat finish is especially well suited near salt water or in other extreme weather conditions - our poles will not corrode, pit or rust. Since fiberglass is a non-conductor, no grounding is required; thus installation is easy and inexpensive. Our standard flagpoles have either a Brilliant White or Dark Bronze pre-cast gel coat finish. Other colors are available upon request; please contact us for a prompt quotation. **Our innovative molding process produces a flagpole shaft with a tensile strength of 50,000 pounds per square inch.** Inside a steel clam shell mold, seven layers of reinforced fiberglass roving, mixed with a polyester resin is aligned in a vertical plane for maximum strength and placed on a thick layer of gel-coat. An inflatable bladder is layered the entire length of the mold. The mold is closed, the bladder inflated and the resulting pole is created by subtle pressure and slow curing during an exothermic chemical reaction.

MODEL	EXPOSED HEIGHT	OVERALL LENGTH	BUTT DIA.	TOP DIA.	WALL	REC. FLAG SIZE	UNFLAGGED MAX. WIND	SHIPPING WEIGHT
FGR15	15'	16'1/2'	4'1/2"	2'1/2"	.140	2' x 3'	160 MPH	25 lbs.
FGR20	20'	22'	4'1/2"	2'1/2"	.140	3' x 5'	140 MPH	40 lbs.
FGR25	25'	27'	4'1/2"	2'1/2"	.140	4' x 6'	120 MPH	45 lbs.
FG25	25'	27'	6'1/2"	3"	.175	4' x 6'	130 MPH	107 lbs.
FG30	30'	33'	6'1/2"	3"	.175	5' x 8'	130 MPH	131 lbs.
FG35	35'	39'	7"	3"	.200	5' x 8'	125 MPH	172 lbs.
FG40*	40'	44'	7"	3"	.200	8' x 12'	120 MPH	194 lbs.
FG50*	50'	50'	10"	4'1/2"	.200	10' x 15'	120 MPH	559 lbs.
FG60*	60'	60'	10'1/2"	4'1/2"	.200	15' x 25'	120 MPH	710 lbs.

\*Shipped in two sections with self-aligning joint.

### External Halyard Fiberglass Flagpoles



#### STANDARD ACCESSORIES

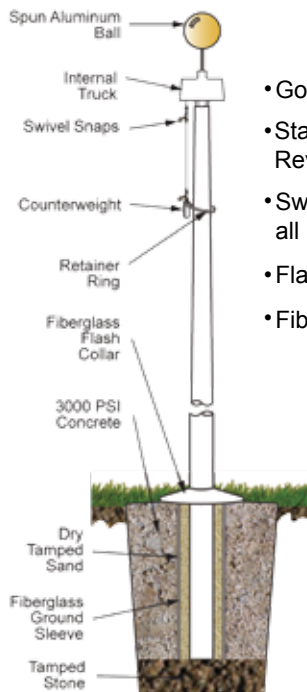
- Gold anodized aluminum ball ornament
- Stationary truck on FGR poles, Revolving truck on FG poles
- Solid braided polypropylene halyard
- Swivel flag snaps with vinyl covers on all models except FGR15, FGR20 & FGR25 which are supplied with nylon snaps
- A cast aluminum cleat with mounting screws is supplied on all models except the FGR15 which is supplied with a cast nylon cleat
- A flash collar is supplied on all models except the FGR15, FGR20 & FGR25; a flash collar is available for the poles as an option
- Fiberglass foundation sleeve

#### WHITE

MODEL	ITEM #	1-2	3-6	7+
FGR15 <sup>A</sup>	323172	\$480	\$450	\$430
FGR20 <sup>A</sup>	323173	670	630	600
FGR25 <sup>A</sup>	323174	840	800	770
FG25	323175	1,650	1,570	1,480
FG30	323176	2,040	1,930	1,840
FG35	323177	2,690	2,570	2,420
FG40	323178	3,160	3,010	2,860
FG50	323179	Call for pricing and availability.		
FG60	323180			

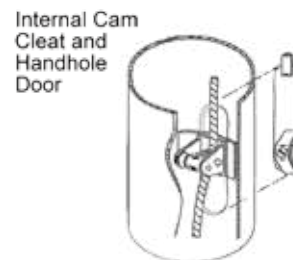
<sup>A</sup>FGR15, FGR20 and FGR25 DO NOT include a flash collar as standard equipment. For collar add \$34.00.

### Internal Halyard Fiberglass Flagpoles



#### STANDARD ACCESSORIES

- Gold anodized aluminum ball ornament
- Stationary truck on poles 25' - 40' poles Revolving truck on 50' and above
- Swivel flag snaps with vinyl covers on all models
- Flash collar
- Fiberglass foundation sleeve



#### WHITE

MODEL	ITEM #	1-2	3-6	7+
FG25IH	323256	\$2,000	\$1,910	\$1,830
FG30IH	323257	2,380	2,280	2,180
FG35IH	323258	3,030	2,870	2,740
FG40IH	323259	3,510	3,340	3,150
FG50IH		Call for pricing and availability.		
FG60IH				

**Add \$30.00 to any of the flagpole pricing above for double cleat-double halyard flagpoles.**

All poles on pages 139 through 161 can be mixed to achieve the higher quantity pricing, but shipment must be made to the same location at the same time.

**Contact us for pricing on Custom Colors, Fiberglass Nautical Flagpoles, Fiberglass Vertical Wall Mount Flagpoles and Fiberglass Outrigger Wall Mount Flagpoles.**



## FRANKLIN SERIES

The Franklin series comes complete with 1½" diameter clear anodized aluminum pole, 3" gold anodized aluminum ball ornament, cast aluminum single-sheave stationary truck, 50' of 1/4" solid braided polypropylene halyard, (2) nylon flag snaps per halyard, 9" cast aluminum cleat(s) with mounting screws and cast or fabricated aluminum mounting bracket(s). Mounting hardware not included.



### OUTRIGGER SETS

With Bracket

MODEL	ITEM #	LEN.	1-2	3-6	7+	LBS.
EOA6	323403	6'	\$290	\$280	\$260	14
EOA9	323404	9'	340	330	300	17
EOA10	323405	10'	350	340	330	18



### OUTRIGGER BRACKET

Displays Pole at 30° Angle

Mounting Hardware Not Included

MODEL	ITEM #	1-2	3-6	7+	LBS.
EOA	323422	\$109	\$107	\$105	3.4



### SINGLE CORNER SETS

With Bracket

MODEL	ITEM #	LEN.	1-2	3-6	7+	LBS.
SC6	323406	6'	\$370	\$350	\$330	16
SC9	323407	9'	420	400	390	19
SC10	323408	10'	440	420	410	20



### SINGLE CORNER BRACKET

Displays Pole at 45° Angle

Mounting Hardware Not Included

MODEL	ITEM #	1-2	3-6	7+	LBS.
SC	323423	\$191	\$185	\$175	5.2



### DOUBLE CORNER SETS

With Bracket

MODEL	ITEM #	LEN.	1-2	3-6	7+	LBS.
DC6	323409	6'	\$410	\$390	\$380	26
DC9	323410	9'	450	430	420	31
DC10	323411	10'	460	440	430	33



### DOUBLE CORNER BRACKET

Displays Pole at 45° Angle

Mounting Hardware Not Included

MODEL	ITEM #	1-2	3-6	7+	LBS.
DC	323424	\$214	\$206	\$197	5.8



### TRIPLE CORNER SETS

With Bracket

MODEL	ITEM #	LEN.	1-2	3-6	7+	LBS.
TC6	323412	6'	\$440	\$420	\$410	32
TC9	323413	9'	480	450	440	39
TC10	323414	10'	490	460	450	42



### TRIPLE CORNER BRACKET

Displays Pole at 45° Angle

Mounting Hardware Not Included

MODEL	ITEM #	1-2	3-6	7+	LBS.
TC	323425	\$238	\$230	\$218	6.3



### VERTICAL WALL SETS

With Brackets

MODEL	ITEM #	LEN.	1-2	3-6	7+	LBS.
EVWA6	323415	6'	\$270	\$260	\$245	13
EVWA9	323416	9'	310	300	290	16
EVWA10	323417	10'	340	330	300	17
EVWA12	323418	12'	350	330	310	19



### VERTICAL WALL BRACKETS

Mounting Hardware Not Included

Priced Per Set

MODEL	ITEM #	1-2	3-6	7+	LBS.
EVWA	323426	\$103	\$99	\$92	2.2



### ROOF MOUNT SET

With Bracket

MODEL	ITEM #	LEN.	1-2	3-6	7+	LBS.
RM6	323419	6'	\$370	\$340	\$330	15
RM9	323420	9'	410	390	380	18
RM10	323421	10'	440	430	410	19



### ROOF MOUNT BRACKET

Mounting Hardware Not Included

See "Vertical Holders" Pricing on Page 127

## CLEAR ANODIZED POLES ONLY

ITEM #	DIAMETER	LENGTH	WALL	PRICE	LBS.
310039	1½"	72"	.125	\$49	3.7
323739	1½"	96"	.125	67	4.6
323427	1½"	108"	.125	72	5.6
323428	1½"	120"	.125	82	6.2
323429	1½"	144"	.125	99	7.4